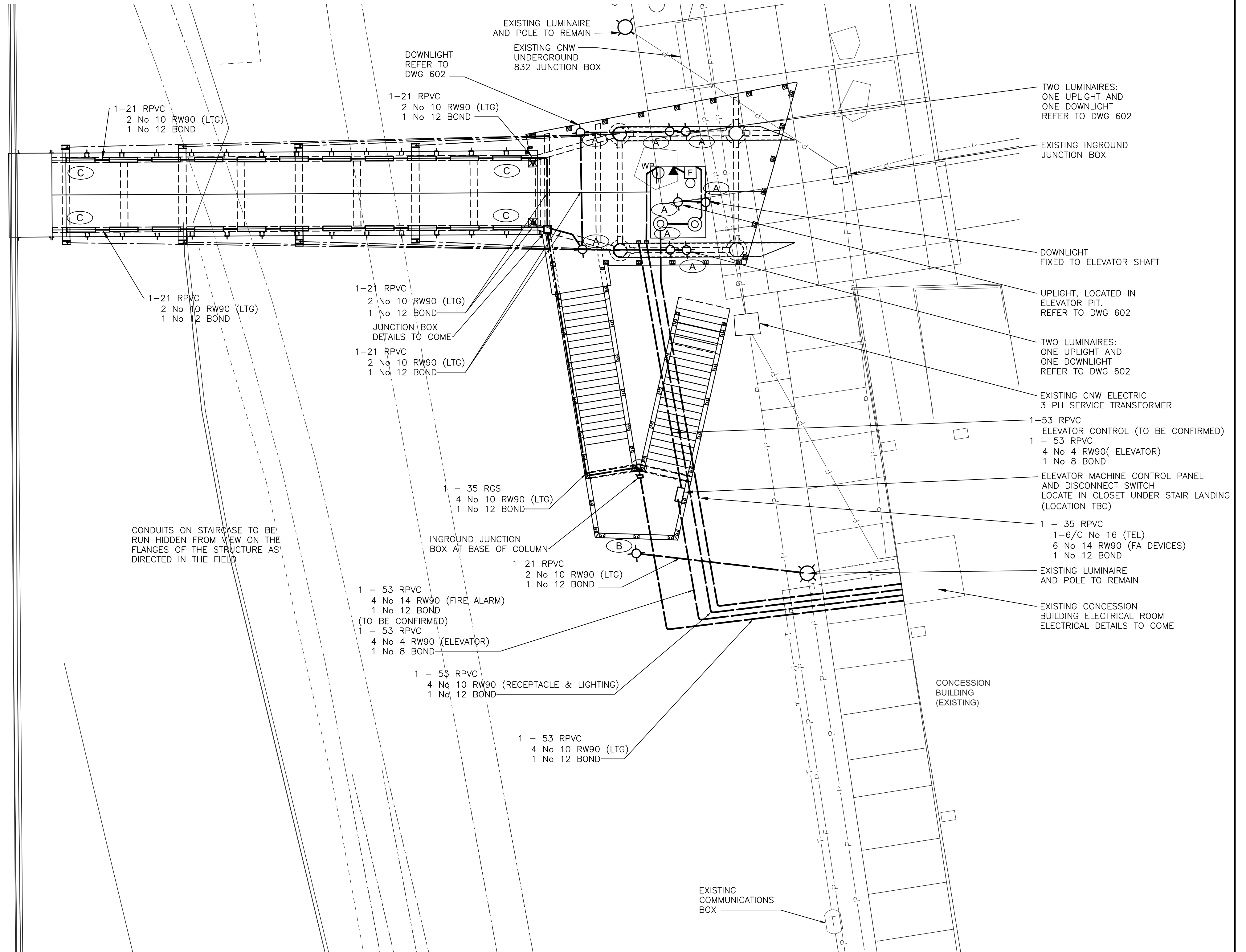


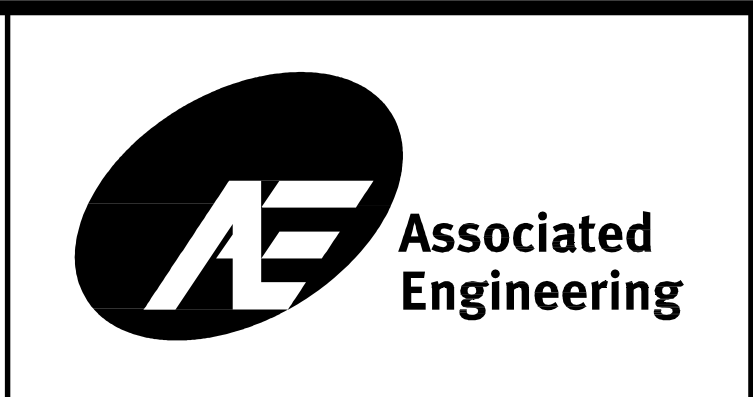
- NOTES**
1. INSTALL A SMOKE DETECTOR IN THE ELEVATOR PIT AND AT THE TOP OF THE SHAFT.
 2. INSTALL FIRE ALARM BELL IN THE ANNULAR SPACE AROUND THE ELEVATOR CAB, APPROX. 2.4m ABOVE THE MAIN LEVEL GROUND. WIRE INTO EXISTING FIRE ALARM SYSTEM (TO BE CONFIRMED).
 3. TYPE C LUMINAIRES TO BE INSTALLED IN THE CURB TRENCH. CENTRE LUMINAIRE IN TRENCH AND WIRE TOGETHER. BURN IN THE LIGHTS FOR A MINIMUM OF 168 HOURS PRIOR TO INSTALLING THE GLASS TRENCH COVER. REPLACE ANY LUMINAIRE THAT DOES NOT SURVIVE THE BURN-IN PERIOD.
 4. INGROUND JUNCTION BOXES TO BE AE CONCRETE TYPE B937 WITH GALV STEEL CHECKERPLATE COVER MARKED "ELEC".
 5. THREE LIGHTING CIRCUITS REQUIRED FOR STRUCTURE LIGHTING, 1 CCT WEST SIDE CURB LIGHTING, 1 CCT FOR EAST SIDE CURB LIGHTING, 1 CCT FOR ALL UP AND DOWN LIGHTS AND EXTERNAL LIGHTING FOR THE ELEVATOR. AN ADDITIONAL CIRCUIT IS REQUIRED FOR THE ELEVATOR CAB LIGHTING NEEDS.
 6. ALL NEW STRUCTURE LIGHTING, POLE LIGHTING AND EXTERNAL ELEVATOR LIGHTING TO BE CONTROLLED FROM THE EXISTING SITE LIGHTING CONTROL SYSTEM. UPGRADE CONTRACTOR AS NEEDED TO ACCEPT THE ADDITIONAL LIGHTING CIRCUITS REQUIRED BY THIS CONTRACT.
 7. CONDUITS ON THE STRUCTURE TO BE RUN HIDDEN FROM GENERAL PUBLIC VIEW TO THE EXTENT POSSIBLE. ROUTING SHOWN ON DRAWINGS IS GENERAL ONLY, INSTALL CONDUITS AND SECURE TO STRUCTURE AS DIRECTED IN THE FIELD.
 8. REMOVE AND REPLACE THE EXISTING SIDEWALK PANELS AS NEEDED TO INSTALL NEW CONDUITS SAWCUT AND ENSURE NO DAMAGE IS CAUSED TO ADJACENT PANELS. IF ADJACENT PANELS ARE DAMAGED, THEY WILL BE REPLACED AT CONTRACTORS COST.



- | | | | |
|--|--------------------------------------|--|--|
| | CONDUIT | | COLOR KINETICS eW BURST COMPACT POWERCORE PHILLIPS 12NC 910503701664 |
| | NEW ELECTRICAL ENCLOSURE P44 CABINET | | SELUX RSA-1-H070T6-SP-120-L-SM1091 LUMINAIRE ON 9m ALUMINOUS SRSM-6 POLE, WITH RAL-XXX FINISH. TO MATCH EXISTING |
| | WEATHER PROOF DUPLEX RECEPTACLE | | COLOR KINETICS eW QLX POWERCORE 9 DEGREES BY 9 DEGREES, 4 FT STRIP LIGHT |
| | WALL MOUNTED TELEPHONE OUTLET | | |
| | FIRE ALARM | | |
| | SMOKE DETECTOR | | |

PLAN
SCALE 1:100

NO.	DATE	ENG.	BY	SUBJECT
0	2013/06/21	DF	TG	ISSUED FOR TENDER
REVISIONS				

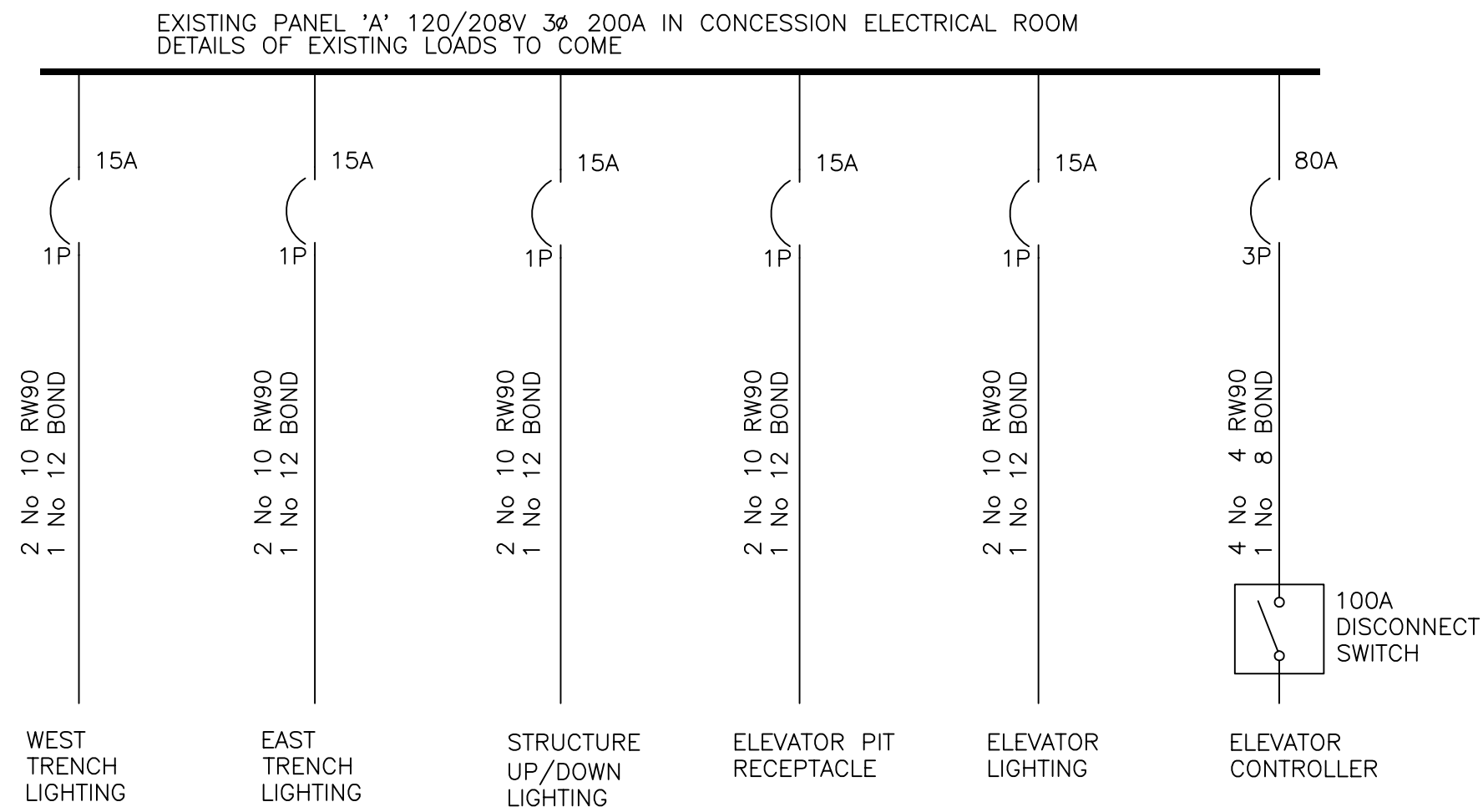


PROJECT No.	20132297
SCALE	AS SHOWN
DRAWN	
DESIGNED	TERESA GRGIC

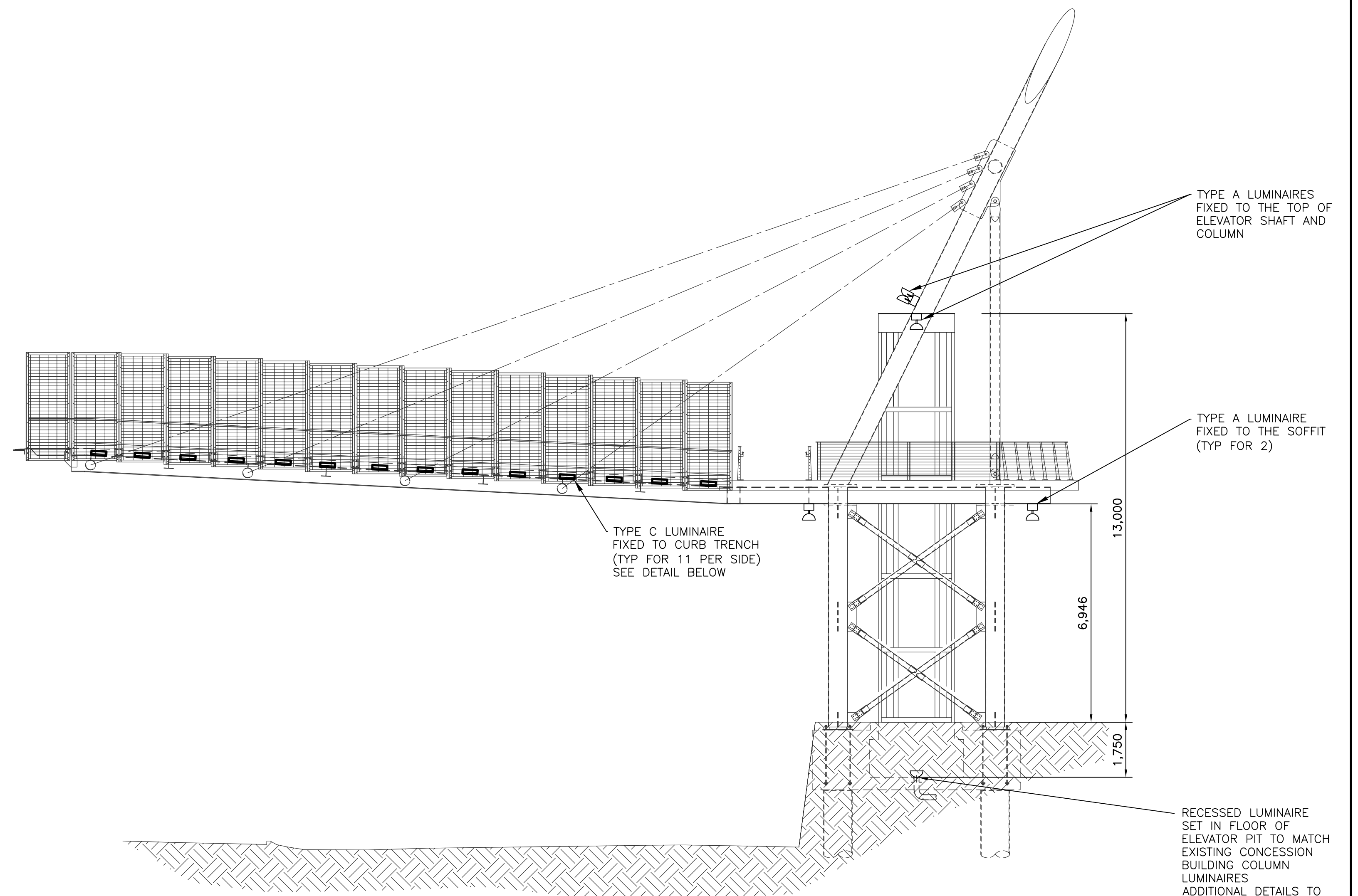
CITY OF NEW WESTMINSTER	
ELECTRICAL LIGHTING PLAN	

4TH STREET PEDESTRIAN OVERPASS		
DRAWING NUMBER	REV. NO.	SHEET
2297-601	0	1 / 2

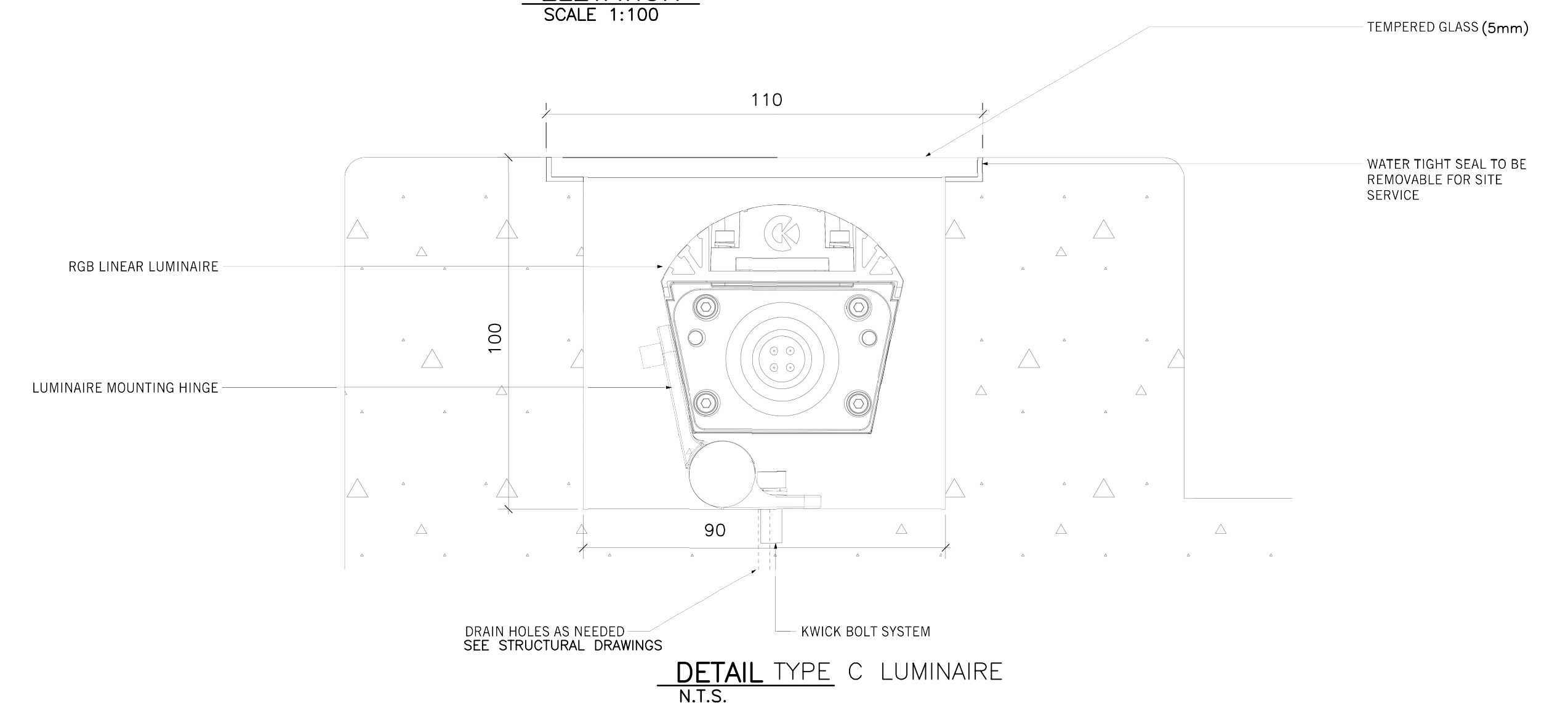
This Drawing is For The Use Of The Client And Project Indicated. No Representations Of Any Kind Are Made To Other Parties.



SINGLE LINE DIAGRAM
N.T.S.



ELEVATION
SCALE 1:100



DETAIL TYPE C LUMINAIRE
N.T.S.

EXISTING PANEL 'A' SCHEDULE – DETAILS TO COME											
LOCATION: STAIRWAY LANDING			VOLTAGE: 120/208			PHASE: 3			WIRE: 4		
MOUNTING: PADMOUNT			BUS RATING: 200A								
INCOMING LUGS:			MAIN BREAKER: 200A								
MANUFACTURER:			FEEDER:								
CCT No.	DESCRIPTION	WATTAGE	BKR AMPS	BUS A	BUS B	BUS C	BKR AMPS	WATTAGE	DESCRIPTION	CCT No.	
1	LIGHTING	450	15	A			15	500	ELEVATOR PIT RECEPTACLE (GFCI)	2	
3	LIGHTING	450	15		B			5000		4	
5	LIGHTING	450	15			C	80	5000	ELEVATOR CONTROLLER	6	
7	ELEVATOR LIGHTING	200	15	A			15	5000		8	
9					B					10	
11						C				12	
SUBTOTALS:		650	450	450				5500	5000	5000	
NOTES:											
1. GFCI – GROUND FAULT CIRCUIT INTERRUPTER RECEPTACLE									PHASE A TOTAL –		6150 W
2. LOADS SHOWN ARE NEW LOADS TO ADD TO EXISTING PANEL CONNECT TO CIRCUITS AS DIRECTED IN THE FIELD									PHASE B TOTAL –		5450 W
									PHASE C TOTAL –		5450 W
3.									PANEL LOAD TOTAL –		17050 W

P:\2013\2297\00_4th St Ped_CIP\Working_Dwg\000_Electrical\2297-602.dwg
DATE: 2013-06-26 10:41:56 AM

NO.	DATE	ENG.	BY	SUBJECT
0	2013/06/21	DF	TG	ISSUED FOR TENDER
REVISIONS				

PROJECT No.	20132297
SCALE	AS SHOWN
DRAWN	
DESIGNED	TERESA GRGIC

CITY OF NEW WESTMINSTER
ELECTRICAL
SCHEDULES AND DETAILS

4TH STREET PEDESTRIAN OVERPASS		
DRAWING NUMBER	REV. NO.	SHEET
2297-602	0	2 2