

8th Ave @ Carnarvon St. Traffic Signalidg JUN 18, 2013

REMOVE:
SECONDARY POLE/BASE, ASSOCIATED HARDWARE AND WIRING.

ABANDON:
EXISTING CONDUIT TO OLD POLE/BASE.

ADD:
SECONDARY POLE/BASE AND ASSOCIATED HARDWARE (SEE POLE 4 ELEVATION).

EX. 1-53mm RPVC
3 No.6 RW90 STREET LIGHTING
1 No.8 RW90 BOND

ADD:
1-53mm RPVC
1-7c No.14 SIGNAL CABLE No.4
2-2c No.16 SHIELDED PPB CABLE
1 No.8 RW90 BOND

ABANDON:
25mm RPVC STUB OUT(S) FOR DETECTOR LOOP
EXISTING JUNCTION BOX

EX. 1-53mm RPVC
REMOVE:
EX. TRAFFIC SIGNAL CONDUCTORS
EX. STREET LIGHTING CONDUCTORS
EX. BOND
ADD:
1-19c No.14 SIGNAL CABLE No.3
1-7c No.14 SIGNAL CABLE No.4
2-2c No.16 SHIELDED PPB CABLE
2 No.6 RW90 STREET LIGHTING
BELDEN 8281 COAX CABLE FOR CAMERA No.3
1-3c No.16 SOW CABLE FOR CAMERA #3 PWR.
1 No.8 RW90 BOND

EX. 1-53mm RPVC
REMOVE:
EX. TRAFFIC SIGNAL CONDUCTORS
EX. STREET LIGHTING CONDUCTORS
EX. BOND
ADD:
1-19c No.14 SIGNAL CABLE No.3
4-2c No.16 SHIELDED PPB CABLE
1 No.8 RW90 BOND

EX. 1-53mm RPVC (EMPTY)
ADD:
3 No.6 RW90 STREET LIGHTING
1-BELDEN 8281 COAX CABLE FOR CAMERA No.3
1-3c No.16 SOW CABLE FOR CAMERA #3 PWR.
1 No.8 RW90 BOND

EX. 100A SERVICE PANEL IN STREET LIGHT SERVICE BASE

EX. 1-53mm RPVC
3 No.6 RW90 STREET LIGHTING
1 No.8 RW90 BOND

EX. 1-53mm RPVC
3 No.6 RW90 STREET LIGHTING
1 No.8 RW90 BOND
REMOVE:
EX. TRAFFIC CABINET POWER CONDUCTORS
ADD:
2 No.6 RW90 TRAFFIC CABINET POWER

EX. JUNCTION BOX

EX. 1-53mm RPVC
3 No.6 RW90 STREET LIGHTING
1 No.8 RW90 BOND
REMOVE:
EX. TRAFFIC CABINET POWER CONDUCTORS
ADD:
2 No.6 RW90 TRAFFIC CABINET POWER

EX. 1-53mm RPVC
3 No.6 RW90 STREET LIGHTING
1 No.8 RW90 BOND
REMOVE:
EX. TRAFFIC CABINET POWER CONDUCTORS
ADD:
2 No.6 RW90 TRAFFIC CABINET POWER

EX. BICYCLE PUSHBUTTON POST (ROUND POLE)

1-25mm RPVC
REMOVE:
EX. PEDESTRIAN PUSHBUTTON CONDUCTORS
ADD:
2-2c No.16 SHIELDED PPB CABLE
1 No.8 RW90 BOND

EX. 1-53mm RPVC
REMOVE:
EX. TRAFFIC SIGNAL CONDUCTORS
EX. STREET LIGHTING CONDUCTORS
EX. BOND
ADD:
1-19c No.14 SIGNAL CABLE No.2
4-2c No.16 SHIELDED PPB CABLE
2 No.6 RW90 STREET LIGHTING
BELDEN 8281 COAX CABLE FOR CAMERA No.2
1-3c No.16 SOW CABLE FOR CAMERA #2 PWR.
1 No.8 RW90 BOND

REPLACE:
ALL SECTIONS OF JUNCTION BOX (TYPE B266) AND ADD GALVANIZED, GROUNDED STEEL LID.

EX. 1-53mm RPVC (EMPTY)
ABANDON:
25mm RPVC STUB OUT(S) FOR DETECTOR LOOP



1-53mm RPVC (EMPTY)
1-53mm RPVC (EMPTY)

EX. 1-53mm RPVC
REMOVE:
EX. TRAFFIC SIGNAL CONDUCTORS
EX. STREET LIGHTING CONDUCTORS
EX. BOND
ADD:
1-19c No.14 SIGNAL CABLE No.5
4-2c No.16 SHIELDED PPB CABLE
2 No.6 RW90 STREET LIGHTING
BELDEN 8281 COAX CABLE FOR CAMERA No.5
1-3c No.16 SOW CABLE FOR CAMERA No.5 PWR.
1 No.8 RW90 BOND

REPLACE:
TOP SECTION OF JUNCTION BOX (TYPE B266) AND ADD GALVANIZED, GROUNDED STEEL LID.

1-25mm RPVC
REMOVE:
EX. PEDESTRIAN PUSHBUTTON CONDUCTORS
ADD:
2-2c No.16 SHIELDED PPB CABLE
1 No.8 RW90 BOND

EX. BICYCLE PUSHBUTTON POST (ROUND POLE)

EX. 1-53mm RPVC
REMOVE:
EX. TRAFFIC SIGNAL CONDUCTORS
EX. BOND
ADD:
1-19c No.14 SIGNAL CABLE No.5
4-2c No.16 SHIELDED PPB CABLE

EX. 1-53mm RPVC
REMOVE:
EX. LOOP DETECTOR CABLES
EX. STREET LIGHTING CONDUCTORS
ADD:
2 No.6 RW90 STREET LIGHTING
BELDEN 8281 COAX CABLE FOR CAMERA No.5
1-3c No.16 SOW CABLE FOR CAMERA #5 PWR.
1 No.8 RW90 BOND

EX. 1-53mm RPVC
REMOVE:
EX. TRAFFIC SIGNAL CONDUCTORS
EX. STREET LIGHTING CONDUCTORS
EX. BOND
ADD:
1-19c No.14 SIGNAL CABLE No.1
4-2c No.16 SHIELDED PPB CABLE
2 No.6 RW90 STREET LIGHTING
BELDEN 8281 COAX CABLE FOR CAMERA No.1
1-3c No.16 SOW CABLE FOR CAMERA #1 PWR.
1 No.8 RW90 BOND

EX. TYPE 5686 JUNCTION BOX

EX. 1-78mm RPVC
No.8 RW90 BOND
REMOVE:
EX. TRAFFIC CABINET POWER CONDUCTORS
ADD:
2 No.6 RW90 TRAFFIC CABINET POWER

EX. 1-78mm RPVC (EMPTY)
ADD:
2-19c No.14 SIGNAL CABLE No.1 & No.2
4-2c No.16 SHIELDED PPB CABLE
1 No.8 RW90 BOND

EX. 1-78mm RPVC
1 No.8 RW90 BOND
REMOVE:
EX. 19c No.14 SIGNAL CONDUCTOR CABLE
ADD:
2-19c No.14 SIGNAL CABLE No.3 & No.5
4-2c No.16 SHIELDED PPB CABLE

EX. 1-78mm RPVC
REMOVE:
EX. LOOP DETECTOR CABLES
ADD:
4-BELDEN 8281 COAX CABLES FOR CAMERAS
4-3c No.16 SOW CABLE FOR CAMERAS (PWR.)
1 No.8 RW90 BOND

EX. TRAFFIC CONTROLLER CABINET (NEMA 8 PHASE) WITH NAZTEC TRAFFIC CONTROLLER

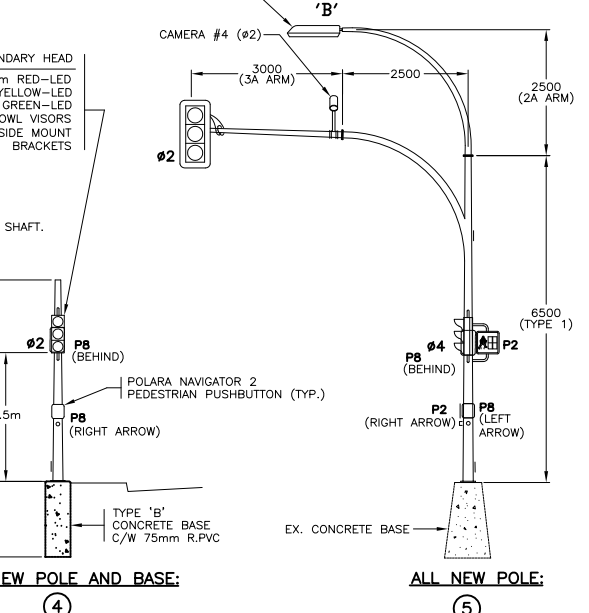
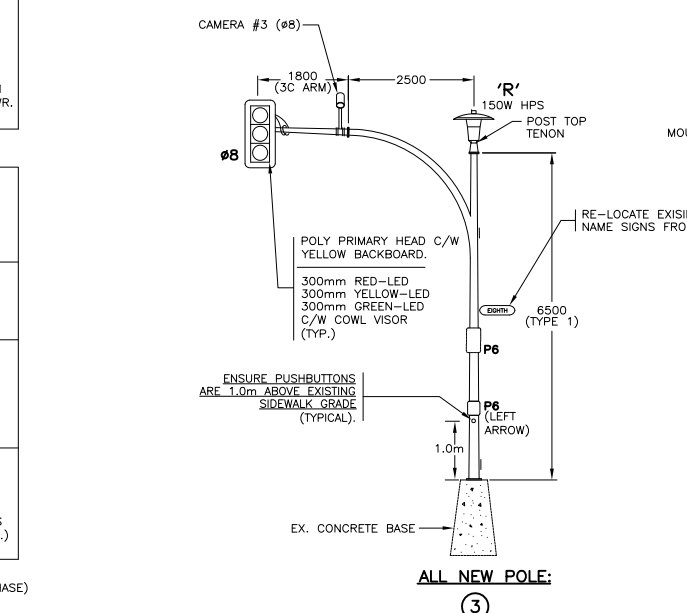
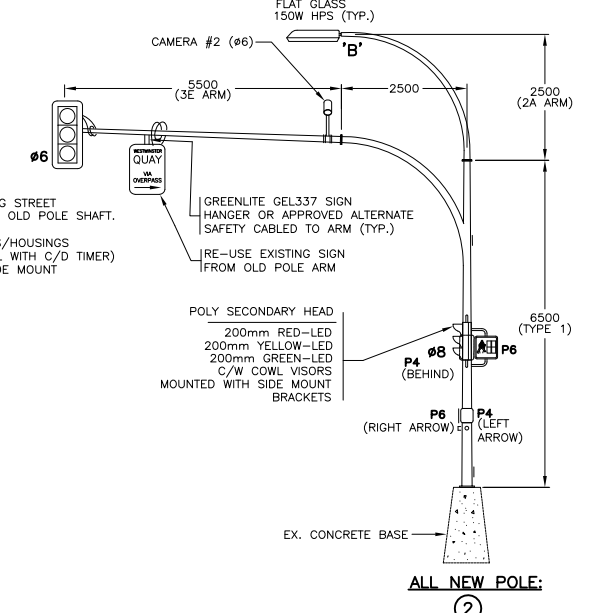
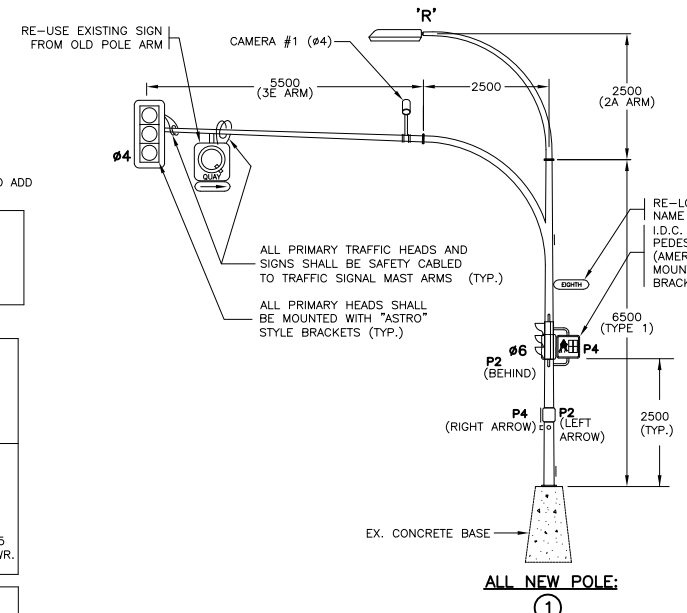
ABANDON:
25mm RPVC STUB OUT(S) FOR DETECTOR LOOP

NOTES:

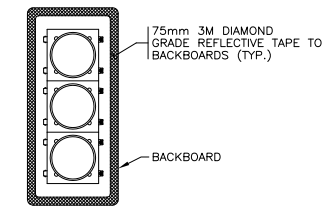
- ALL WORK SHALL BE CONSTRUCTED IN ACCORDANCE WITH MMCD SPECIFICATIONS AND SUPPLEMENTAL SPECIFICATIONS ISSUED BY THE CITY OF NEW WESTMINSTER.
- EACH MULTICONDUCTOR SIGNAL CABLE IS TO RUN CONTINUOUS, WITH NO SPLICERS FROM THE CONTROLLER CABINET TO THE RESPECTIVE POLE HANDHOLE.
- ALL MULTICONDUCTOR SIGNAL CABLE SHALL CONFORM TO IMSA SPEC. NO. 19-1 CABLE IN CONDUIT.
- ALL SIGNAL HEADS SHALL BE WIRED SEPARATELY (SEPARATE CABLE) WITHIN THE POLE TO THE POLE HANDHOLE USING STRANDED MULTICONDUCTOR SIGNAL CABLE (MSA SPEC. NO. 19-1).
- CABLES AND SINGLE CONDUCTORS INSIDE POLE SHALL BE:
7c No. 14 SIGNAL CABLE FOR PRIMARY AND SECONDARY HEADS
4c No. 14 SIGNAL CABLE FOR PEDESTRIAN HEADS
2c No. 14 SHIELDED CABLE (OSH-1602) FOR PUSHBUTTON
- ALL TRAFFIC SIGNAL CONDUCTORS SHALL BE CONNECTED IN THE POLE HANDHOLE. CONNECTIONS FOR TRAFFIC SIGNAL CONDUCTORS IN JUNCTION BOXES ARE NOT PERMITTED.
- ALL CONDUCTORS, NOT IN SIGNAL CABLE, SHALL BE STRANDED COPPER, TYPE RW90 AND TWH INSULATED, COLOUR CODED.
- EMPTY CONDUITS SHALL HAVE A NYLON PULL STRING INSTALLED AND ENDS CAPPED.
- COMMON CIRCUIT WIRING SHALL BE TAPPED TOGETHER & TAGGED AS NOTED. TRAFFIC SIGNAL COMMON TO BE KEPT SEPARATE FROM STREET LIGHTING COMMON CONDUCTOR.
- 2.0m OF CABLE OR CONDUCTOR SLACK IS TO BE COILED IN EACH JUNCTION BOX.
- ALL DIMENSIONS IN MILLIMETRES UNLESS NOTED OTHERWISE.
- ALL TRAFFIC POLES SHALL BE GALVANIZED AND POWDER COATED BLACK. SIGNAL HEADS AND SIDE ARM BRACKETS SHALL BE TRAFFIC SIGNAL GREEN.

TRAFFIC SIGNAL SHALL REMAIN FULLY OPERATIONAL DURING ALL SIGNAL MODIFICATIONS.

ALL EQUIPMENT IS EXISTING EXCEPT WHERE NOTED.



ELEVATIONS NTS



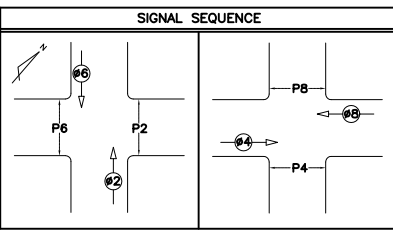
PRIMARY HEAD BACKBOARD DETAIL N.T.S.

NOTE:
REFER TO VECTOR ENGINEERING SERVICES LTD. PLAN #2026-01 FOR LINE PAINTING AND ROADWORKS DETAILS.

NOTE:
EXISTING FACILITY INFORMATION HAS BEEN ILLUSTRATED SOLELY ON FIELD OBSERVATION, ACTUAL CONDITIONS MAY VARY.

APPROVED PRODUCTS LIST

PRODUCT	MANUFACTURER	SPECIFICATION	PRODUCT	MANUFACTURER	SPECIFICATION
POLES AND ARMS	NOVA POLE INTERNATIONAL	MoT	LUMINAIRES	GENERAL ELECTRIC	MoT
	VALMONT WEST COAST ENGINEERING	MoT	PED. PUSHBUTTONS/APS	POLARA (NAVIGATOR 2)	NEW WEST.
SIGNAL HEADS	ECONOLITE	MoT	SIDE ARM BRACKETS	GREENLITE TRAFFIC (TRAFFIC SIGNAL GREEN)	MMCD
	FORTTRAN	MoT	PED./SEC. HEADS		
OVERHEAD SIGNAL MOUNTS	PELCO ASTRO BRACKET	MMCD	VIDEO DETECTION	ITERIS	NEW WEST.
	SKYBRACKET	MMCD			
TRAFFIC SIGNAL/ PED. DISPLAYS	DIALIGHT (TRAFFIC SIGNAL GREEN)	ITE			
	GELCORE (TRAFFIC SIGNAL GREEN)	ITE			



LEGEND

- NEW COMBINATION TRAFFIC SIGNAL POLE
- EXISTING COMBINATION TRAFFIC SIGNAL POLE
- EXISTING STREET LIGHT POLE
- LUMINAIRE ON BLACK PHASE CONDUCTOR
- LUMINAIRE ON RED PHASE CONDUCTOR
- NEW JUNCTION BOX
- EXISTING JUNCTION BOX
- VEHICLE PHASE
- PEDESTRIAN PHASE
- ELECTRICAL UTILITY POLE
- TRAFFIC CONTROLLER
- NEW CONDUIT
- EXISTING CONDUIT

REVISED	DESCRIPTION	BY	DATE	APPROVED
9				
8				
7				
6				
5				
4				
3				
2	ISSUED FOR QUOTATION	B.W.	JULY 2013	
1	ISSUED FOR REVIEW (REBUILD)	B.W.	MAY 2013	

W.K. WILLIAMS CONSULTING SERVICES
12321 22 AVENUE
SURREY, B.C. V4A 2B4
PH. 604-536-9286

DMH TRANSPORTATION ENGINEER
10101 HOLLYMOUNT DRIVE
RICHMOND, B.C. V7E 4T5
PH. 604-275-1736

CITY OF NEW WESTMINSTER
511 ROYAL AVENUE, NEW WESTMINSTER, B.C. V3L 1H9

8TH STREET & CARNARVON STREET TRAFFIC SIGNAL MODIFICATIONS

SCALE:	1:250	PROJECT NUMBER	
DRAWN	B. WILLIAMS	DRAWING NUMBER	
CHECKED	D. HENDERSON		
DESIGNED	B. WILLIAMS		
CHECKED	D. HENDERSON		
DATE	MAY 2013	SHEET	1 OF 1
APPROVED		CURRENT DRAWING REVISION NUMBER	2