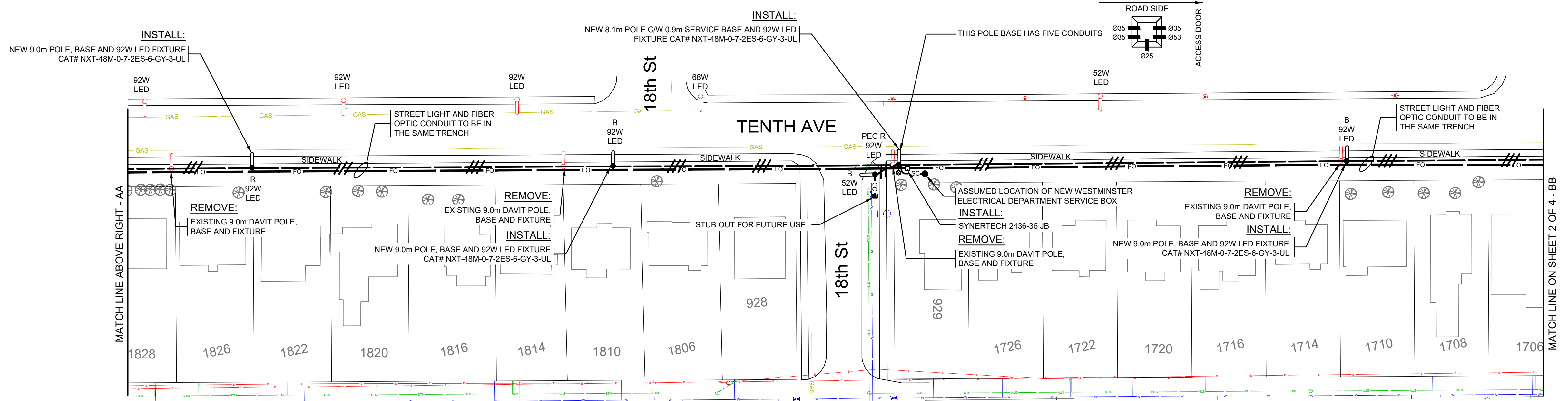


TENTH AVE STREET LIGHTING PLAN - A



TENTH AVE STREET LIGHTING PLAN - B

LIGHTING DESIGN CRITERIA	
PER: (RP-8-00 TABLE 2)	
ROADWAY (NAME)	10TH AVE. - 20TH ST. TO 18TH ST
ROAD CLASSIFICATION	MAJOR
PEDESTRIAN CONFLICT	HIGH
LUMINANCE RECOMMENDED/DELIVERED	1.2 (Cd/m²) / 1.55 (Cd/m²)
UNIFORMITY RECOMMENDED/DELIVERED	3.0 / 2.1:1
LIGHT LOSS FACTOR	0.8
LAYOUT/SPACING	AS SHOWN
EQUIPMENT:	
FIXTURE TYPE: LED	WATTAGE: 92W
MTG. HEIGHT: 9m	DIST TYPE: II
IES FILE: NXT-48M-600mA-2ES-4000K.ies	
MODEL: NXT-M SERIES	

INTERSECTION DESIGN CRITERIA	
PER: (RP-8-00 TABLE 9)	
INTERSECTION	10TH AVE. AT 19TH ST
ROAD CLASSIFICATION	MAJOR / LOCAL
PEDESTRIAN CONFLICT	HIGH
ILLUMINANCE RECOMMENDED/DELIVERED	26 LUX / 27.5 LUX
UNIFORMITY RECOMMENDED/DELIVERED	3.0 / 1.6:1
LIGHT LOSS FACTOR	0.8
EQUIPMENT:	
FIXTURE TYPE: LED	WATTAGE: 92W
MTG. HEIGHT: 9m	DIST TYPE: II
IES FILE: NXT-48M-600mA-2ES-4000K.ies	
MODEL: NXT-M SERIES	

INTERSECTION DESIGN CRITERIA	
PER: (RP-8-00 TABLE 9)	
INTERSECTION	10TH AVE. AT 18TH ST.
ROAD CLASSIFICATION	MAJOR / LOCAL
PEDESTRIAN CONFLICT	LOW
ILLUMINANCE RECOMMENDED/DELIVERED	13 LUX / 17.2 LUX
UNIFORMITY RECOMMENDED/DELIVERED	3.0 / 2.1:1
LIGHT LOSS FACTOR	0.8
EQUIPMENT:	
FIXTURE TYPE: LED	WATTAGE: 52W
MTG. HEIGHT: 9m	DIST TYPE: II
IES FILE: NXT-36S-450mA-2ES-4000K.ies	
MODEL: NXT-S SERIES	

DRAWING LIST		
SHEET No.	DWG No.	DWG TITLE:
1	STL-01	STREET LIGHTING AND FIBRE OPTIC INSTALLATION
2	STL-02	STREET LIGHTING AND FIBRE OPTIC INSTALLATION
3	STL-03	STREET LIGHTING AND FIBRE OPTIC INSTALLATION
4	STL-04	DETAILS

LEGEND

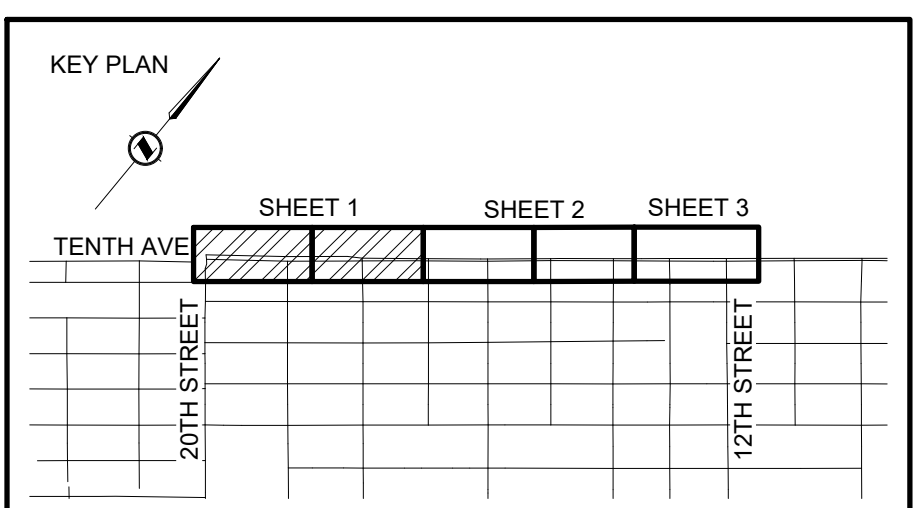
- | | | | |
|--|--|--|----------|
| | | EXISTING | PROPOSED |
| | | 9.0m SINGLE DAVIT STREET LIGHT POLE | |
| | | 8.1m SINGLE DAVIT STREETLIGHT POLE ON TOP OF 0.9m HIGH 60A-120/240V MMCD SERVICE BASE | |
| | | POWER POLE | |
| | | POWER POLE W/ LUMINAIRE | |
| | | FIBRE OPTIC CONDUIT - 103mm RPVC OR DBII WITH #12 RW90 TRACER WIRE DIRECT-BURIED ALONGSIDE | |
| | | 3 No. 6 RW90 Cu. ST. LTG. & 1 No. 8 RW90 Cu. BOND IN 35mm RPVC | |
| | | 2 No. 6 RW90 Cu. ST. LTG. & 1 No. 8 RW90 Cu. BOND IN 35mm RPVC | |
| | | STUB OUT AND RUN 35mm RPVC FOR FUTURE EXTENSION (CAP CONDUIT LEAVE PULL STRING INSIDE CONDUIT) | |
| | | JUNCTION BOX | |
| | | ASSUMED LOCATION OF NEW WESTMINSTER ELECTRICAL DEPARTMENT SERVICE BOX | |

OPTIONAL PRICING NOTES

- BASE CONTRACT: CUT OFF MOUNTING BOLTS FLUSH WITH TOP OF BASE AND ROUTE CONDUIT AROUND BASE.
- OPTIONAL PRICE: CUT OFF EXISTING CAST-IN-PLACE CONCRETE BASE 300mm BELOW GRADE AND ABANDON. CAUTION WHEN EXCAVATING/CUTTING BASE AS BASE MAY BE CAST AROUND EXISTING GAS LINE. SEE TENDER PRICING TABLE OPTIONAL PRICE ITEM #1.

CITY STREET LIGHTING NOTES

- THE CITY OF NEW WESTMINSTER STREET LIGHT STANDARDS AND SPECIFICATIONS TO APPLY.
- DEVELOPER TO NUMBER POLES AS PER NEW WESTMINSTER INSTRUCTIONS AND THE NUMBERS SHOWN ON THE DRAWINGS.
- ALL POLES ARE TO BE GALVANIZED AND POWDER COAT PAINTED TEXTURED BLACK (NOVA POLE BK70).
- A GROUND PLATE ELECTRODE SHALL BE INSTALLED AT EACH POLE.
- DEVELOPER SHALL OBTAIN ALL PERMITS AND LICENSES PRIOR TO CONSTRUCTION.
- DEVELOPER TO ENSURE THAT ALL STREET LIGHT POLES ARE A MINIMUM OF 3.0M CLEAR OF ALL HYDRO POLES AND OVERHEAD PRIMARY WIRES AND 1M CLEAR OF ALL OVERHEAD SECONDARY WIRES PRIOR TO RELOCATING BASES AND POLES.
- LUMINAIRE FIXTURES SHALL BE LED AS APPROVED BY CITY OF NEW WESTMINSTER.
- ALL STREET LIGHTS ARE TO BE 1.0M CLEAR OF ALL DRIVEWAYS.



REFER TO SHEET 4 FOR ELEVATIONS

NOT FOR CONSTRUCTION

EXISTING ELECTRICAL CONDUIT TO BE ABANDONED AND WIRING TO BE REMOVED

BC OneCall
 Call Before You Dig
 1-800-474-6886 or *6886 by CELL www.bconecall.ca

CHECK BEFORE YOU DIG

THE LOCATIONS OF EXISTING UNDERGROUND UTILITIES ARE SHOWN IN AN APPROXIMATE WAY ONLY AND HAVE NOT BEEN INDEPENDENTLY VERIFIED BY THE OWNER OR ITS REPRESENTATIVE. SOME UTILITIES MAY NOT BE SHOWN. THE CONTRACTOR SHALL DETERMINE THE EXISTENCE AND EXACT LOCATION OF ALL EXISTING UTILITIES BEFORE COMMENCING WORK AND AGREES TO BE FULLY RESPONSIBLE FOR ANY AND ALL DAMAGES WHICH OCCUR DUE TO THE CONTRACTOR'S FAILURE TO EXACTLY LOCATE AND PRESERVE ANY AND ALL EXISTING UTILITIES.

FIELD LAYOUT TO BE CONFIRMED WITH ENGINEER PRIOR TO CONSTRUCTION

IN THE EVENT OF ANY UTILITY CONFLICTS THE CONTRACTOR SHALL CONTACT GREAT NORTHERN ENGINEERING AT 1-855-463-2266 3 WORKING DAYS PRIOR TO PLANNED INSTALLATION TO ARRANGE FOR THE ENGINEER TO HELP RESOLVE ANY CONFLICTS AND PROVIDE DIRECTION

UTILITY OVERHEAD WIRING

THE CONTRACTOR SHALL ENSURE THAT ALL POLES AND APPURTENANCES WILL MEET THE STANDARDS FOR CLEARANCES PRIOR TO INSTALLING POLE BASES. STANDARDS ARE:

- BC HYDRO OVERHEAD DISTRIBUTION STANDARDS
- CANADIAN ELECTRICAL CODE STANDARD C22.3 No. 1-15 OVERHEAD SYSTEMS
- WORKSAFE BC PART 19 ELECTRICAL SAFETY OF THE OH&S REGULATIONS.

CITY

NEW WESTMINSTER
 ENGINEERING DEPARTMENT
 PHONE: 604-527-4592

CITY PROJECT No. _____ CITY DRAWING No. _____

GNEC
 Great Northern Engineering Consultants

202 - 8525 Baxter Place
 Burnaby, BC V5A 4V7
 Phone: 1-855-463-2266
 www.gnec.ca

SEAL

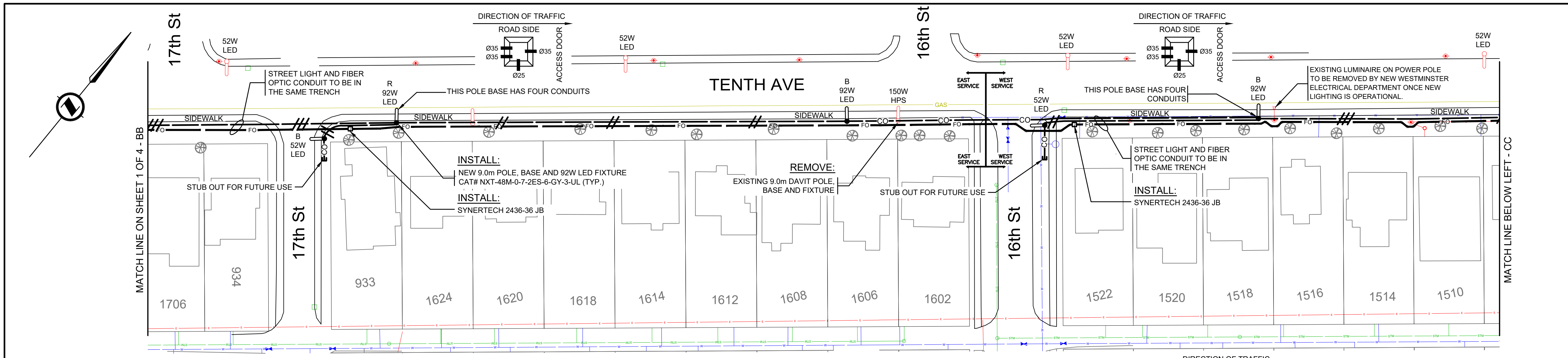
REVISION TABLE				
REV	DESCRIPTION	DSGN	APPR	DATE
0	FIRST SUBMISSION	IW	DM	18.06.29
1	SECOND SUBMISSION	IW	DM	18.07.06
2	ISSUED FOR ADDENDUM	IW	DM	18.09.11
3	ISSUED FOR NEW TENDER	IW	DM	18.10.25

PROJECT DESCRIPTION

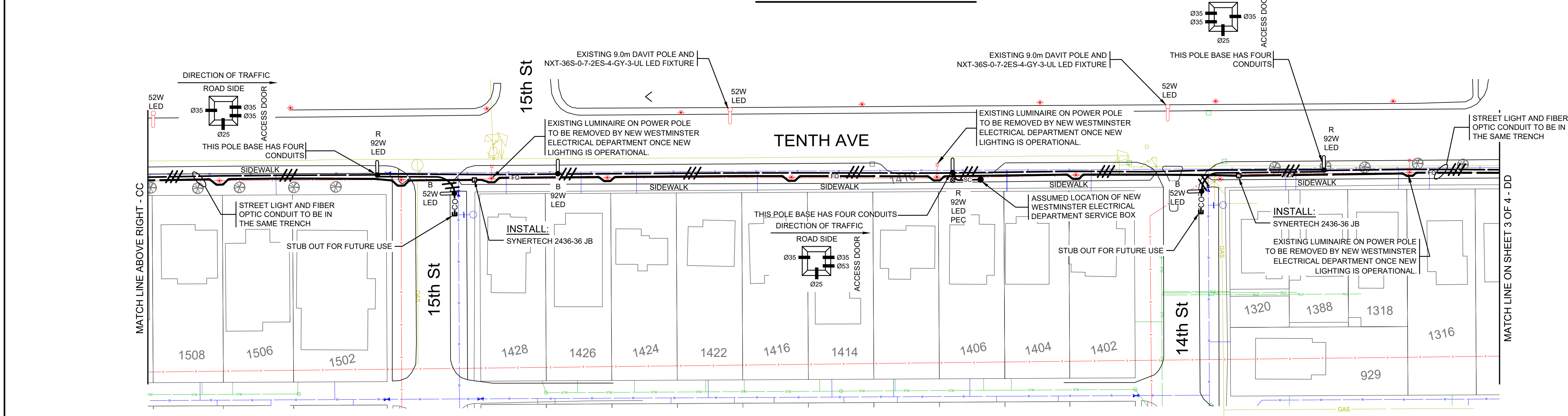
**10TH AVE. - 20TH ST. TO 12TH ST.
 NEW WESTMINSTER, BC**

DRAWING TITLE
**STREET LIGHTING AND FIBRE OPTIC
 INSTALLATION**

0 1:500 20 GNEC No. 18BC-0080 DWG No. STL-01 SHT No. 1 of 4 REV 3



TENTH AVE STREET LIGHTING PLAN - C



TENTH AVE STREET LIGHTING PLAN - D

LIGHTING DESIGN CRITERIA	
PER: (RP-8-00 TABLE 2)	
ROADWAY (NAME)	10TH AVE. - 18TH ST. TO 12TH ST
ROAD CLASSIFICATION	MAJOR
PEDESTRIAN CONFLICT	LOW
ILLUMINANCE RECOMMENDED/DELIVERED	0.6 LUX / .65 LUX
UNIFORMITY RECOMMENDED/DELIVERED	3.5 / 3.0:1
LIGHT LOSS FACTOR	0.8
LAYOUT/SPACING	50m (MAX / STAGGERED)
EQUIPMENT:	
FIXTURE TYPE: LED	WATTAGE: 92W MTG. HEIGHT: 9m DIST TYPE: II
IES FILE:	NXT-48M-600mA-2ES-4000K.ies MODEL: NXT-M SERIES

INTERSECTION DESIGN CRITERIA	
PER: (RP-8-00 TABLE 9)	
INTERSECTION	10TH AVE. AT 17TH ST
ROAD CLASSIFICATION	MAJOR / LOCAL
PEDESTRIAN CONFLICT	LOW
ILLUMINANCE RECOMMENDED/DELIVERED	13 LUX / 13 LUX
UNIFORMITY RECOMMENDED/DELIVERED	3.0 / 1.6:1
LIGHT LOSS FACTOR	0.8
EQUIPMENT:	
FIXTURE TYPE: LED	WATTAGE: 52W MTG. HEIGHT: 9m DIST TYPE: II
IES FILE:	NXT-36S-450mA-2ES-4000K.ies MODEL: NXT-S SERIES

INTERSECTION DESIGN CRITERIA	
PER: (RP-8-00 TABLE 9)	
INTERSECTION	10TH AVE. AT 16TH ST.
ROAD CLASSIFICATION	MAJOR / LOCAL
PEDESTRIAN CONFLICT	LOW
ILLUMINANCE RECOMMENDED/DELIVERED	13 LUX / 13 LUX
UNIFORMITY RECOMMENDED/DELIVERED	3.0 / 1.9:1
LIGHT LOSS FACTOR	0.8
EQUIPMENT:	
FIXTURE TYPE: LED	WATTAGE: 52W MTG. HEIGHT: 9m DIST TYPE: II
IES FILE:	NXT-36S-450mA-2ES-4000K.ies MODEL: NXT-S SERIES

INTERSECTION DESIGN CRITERIA	
PER: (RP-8-00 TABLE 9)	
INTERSECTION	10TH AVE. AT 15TH ST.
ROAD CLASSIFICATION	MAJOR / LOCAL
PEDESTRIAN CONFLICT	LOW
ILLUMINANCE RECOMMENDED/DELIVERED	13 LUX / 15.6 LUX
UNIFORMITY RECOMMENDED/DELIVERED	3.0 / 2.1:1
LIGHT LOSS FACTOR	0.8
EQUIPMENT:	
FIXTURE TYPE: LED	WATTAGE: 52W MTG. HEIGHT: 9m DIST TYPE: II
IES FILE:	NXT-36S-450mA-2ES-4000K.ies MODEL: NXT-S SERIES

INTERSECTION DESIGN CRITERIA	
PER: (RP-8-00 TABLE 9)	
INTERSECTION	10TH AVE. AT 14TH ST.
ROAD CLASSIFICATION	MAJOR / LOCAL
PEDESTRIAN CONFLICT	LOW
ILLUMINANCE RECOMMENDED/DELIVERED	13 LUX / 23.3 LUX
UNIFORMITY RECOMMENDED/DELIVERED	3.0 / 1.8:1
LIGHT LOSS FACTOR	0.8
EQUIPMENT:	
FIXTURE TYPE: LED	WATTAGE: 52W MTG. HEIGHT: 9m DIST TYPE: II
IES FILE:	NXT-36S-450mA-2ES-4000K.ies MODEL: NXT-S SERIES

EXISTING ELECTRICAL CONDUIT TO BE ABANDONED AND WIRING TO BE REMOVED

FIELD LAYOUT TO BE CONFIRMED WITH ENGINEER PRIOR TO CONSTRUCTION

IN THE EVENT OF ANY UTILITY CONFLICTS THE CONTRACTOR SHALL CONTACT GREAT NORTHERN ENGINEERING AT 1-855-463-2266 3 WORKING DAYS PRIOR TO PLANNED INSTALLATION TO ARRANGE FOR THE ENGINEER TO HELP RESOLVE ANY CONFLICTS AND PROVIDE DIRECTION

UTILITY OVERHEAD WIRING

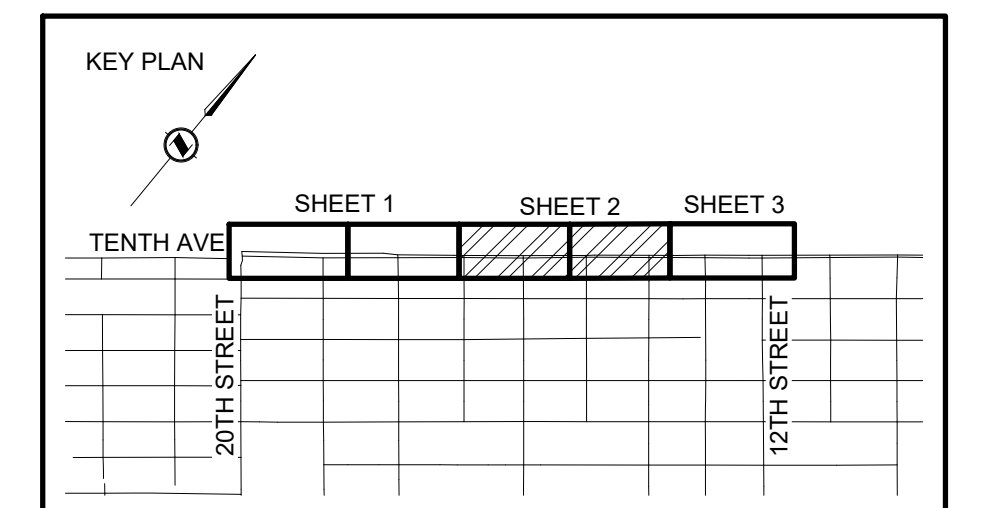
- THE CONTRACTOR SHALL ENSURE THAT ALL POLES AND APPURTENANCES WILL MEET THE STANDARDS FOR CLEARANCES PRIOR TO INSTALLING POLE BASES. STANDARDS ARE:
- BC HYDRO OVERHEAD DISTRIBUTION STANDARDS
 - CANADIAN ELECTRICAL CODE STANDARD C22.3 No. 1-15 OVERHEAD SYSTEMS
 - WORKSAFE BC PART 19 ELECTRICAL SAFETY OF THE OH&S REGULATIONS.

LEGEND

- | | | |
|----------|----------|--|
| EXISTING | PROPOSED | |
| | | 9.0m SINGLE DAVIT STREET LIGHT POLE |
| | | 8.1m SINGLE DAVIT STREETLIGHT POLE ON TOP OF 0.9m HIGH 60A-120/240V MMCD SERVICE BASE |
| | | POWER POLE |
| | | POWER POLE W/ LUMINAIRE |
| | | FIBRE OPTIC CONDUIT - 103mm RPVC OR DBII WITH #12 RW90 TRACER WIRE DIRECT-BURIED ALONGSIDE |
| | | 3 No. 6 RW90 Cu. ST. LTG. & 1 No. 8 RW90 Cu. BOND IN 35mm RPVC |
| | | 2 No. 6 RW90 Cu. ST. LTG. & 1 No. 8 RW90 Cu. BOND IN 35mm RPVC |
| | | STUB OUT AND RUN 35mm RPVC FOR FUTURE EXTENSION (CAP CONDUIT LEAVE PULL STRING INSIDE CONDUIT) |
| | | JUNCTION BOX |
| | | ASSUMED LOCATION OF NEW WESTMINSTER ELECTRICAL DEPARTMENT SERVICE BOX |

REFER TO SHEET 4 FOR ELEVATIONS

NOT FOR CONSTRUCTION



CITY STREET LIGHTING NOTES

1. THE CITY OF NEW WESTMINSTER STREET LIGHT STANDARDS AND SPECIFICATIONS TO APPLY.
2. DEVELOPER TO NUMBER POLES AS PER NEW WESTMINSTER INSTRUCTIONS AND THE NUMBERS SHOWN ON THE DRAWINGS.
3. ALL POLES ARE TO BE GALVANIZED AND POWDER COAT PAINTED TEXTURED BLACK (NOVA POLE BK70).
4. A GROUND PLATE ELECTRODE SHALL BE INSTALLED AT EACH POLE.
5. DEVELOPER SHALL OBTAIN ALL PERMITS AND LICENSES PRIOR TO CONSTRUCTION.
6. DEVELOPER TO ENSURE THAT ALL STREET LIGHT POLES ARE A MINIMUM OF 3.0M CLEAR OF ALL HYDRO POLES AND OVERHEAD PRIMARY WIRES AND 1M CLEAR OF ALL OVERHEAD SECONDARY WIRES PRIOR TO RELOCATING BASES AND POLES.
7. LUMINAIRE FIXTURES SHALL BE LED AS APPROVED BY CITY OF NEW WESTMINSTER.
8. ALL STREET LIGHTS ARE TO BE 1.0M CLEAR OF ALL DRIVEWAYS.

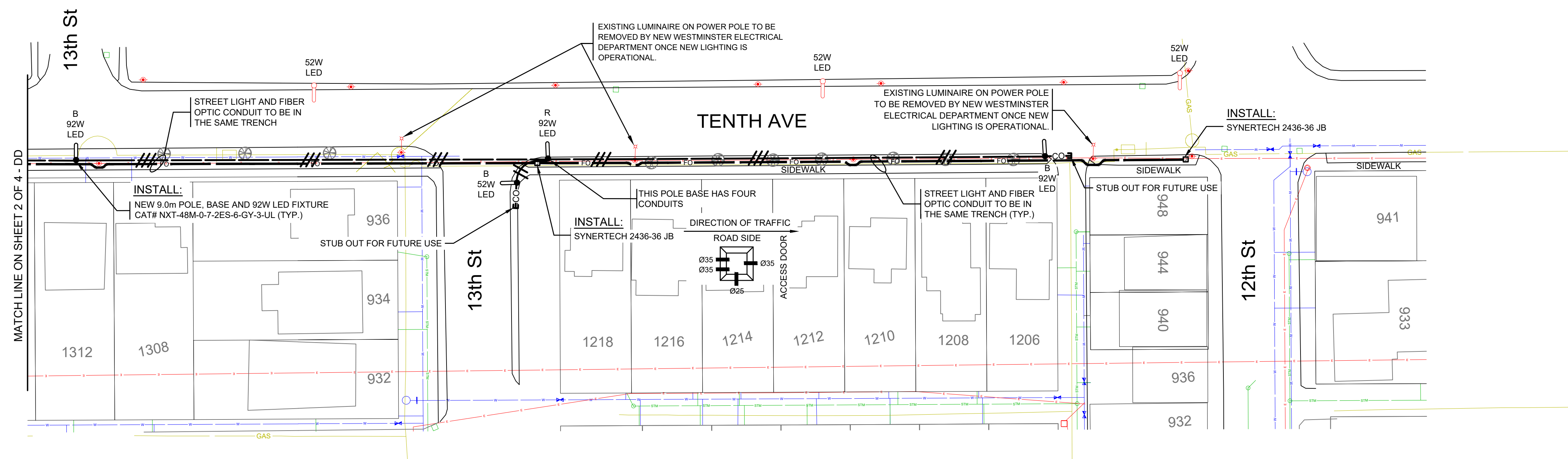


CHECK BEFORE YOU DIG

THE LOCATIONS OF EXISTING UNDERGROUND UTILITIES ARE SHOWN IN AN APPROXIMATE WAY ONLY AND HAVE NOT BEEN INDEPENDENTLY VERIFIED BY THE OWNER OR ITS REPRESENTATIVE. SOME UTILITIES MAY NOT BE SHOWN. THE CONTRACTOR SHALL DETERMINE THE EXISTENCE AND EXACT LOCATION OF ALL EXISTING UTILITIES BEFORE COMMENCING WORK AND AGREES TO BE FULLY RESPONSIBLE FOR ANY AND ALL DAMAGES WHICH OCCUR DUE TO THE CONTRACTOR'S FAILURE TO EXACTLY LOCATE AND PRESERVE ANY AND ALL EXISTING UTILITIES.

CITY				
 NEW WESTMINSTER ENGINEERING DEPARTMENT PHONE: 604-527-4592				
CITY PROJECT No.	CITY DRAWING No.			
 GNEC Great Northern Engineering Consultants 202 - 8525 Baxter Place Burnaby, BC V5A 4V7 Phone: 1-855-463-2266 www.gnec.ca				
 D. J. METZ PROFESSIONAL ENGINEER CIVIL 2018-10-25				
REVISION TABLE				
REV	DESCRIPTION	DSGN	APPR	DATE
0	FIRST SUBMISSION	IW	DM	18.06.29
1	SECOND SUBMISSION	IW	DM	18.07.06
2	ISSUED FOR ADDENDUM	IW	DM	18.09.11
3	ISSUED FOR NEW TENDER	IW	DM	18.10.25
PROJECT DESCRIPTION				
10TH AVE. - 20TH ST. TO 12TH ST. NEW WESTMINSTER, BC				
DRAWING TITLE				
STREET LIGHTING AND FIBRE OPTIC INSTALLATION				
0	1:500	GNEC No.	DWG No.	SHT No.
		18BC-0080	STL-02	2 of 4

INTERSECTION DESIGN CRITERIA	
PER: (RP-8-00 TABLE 9)	
INTERSECTION	10TH AVE. AT 13TH ST
ROAD CLASSIFICATION	MAJOR / LOCAL
PEDESTRIAN CONFLICT	LOW
ILLUMINANCE RECOMMENDED/DELIVERED	13 LUX / 13.6 LUX
UNIFORMITY RECOMMENDED/DELIVERED	3.0 / 2.6:1
LIGHT LOSS FACTOR	0.8
EQUIPMENT:	
FIXTURE TYPE: LED	WATTAGE: 52W
MTG. HEIGHT: 9m	DIST TYPE: II
IES FILE: NXT-36S-450mA-2ES-4000K.ies	MODEL: NXT-S SERIES



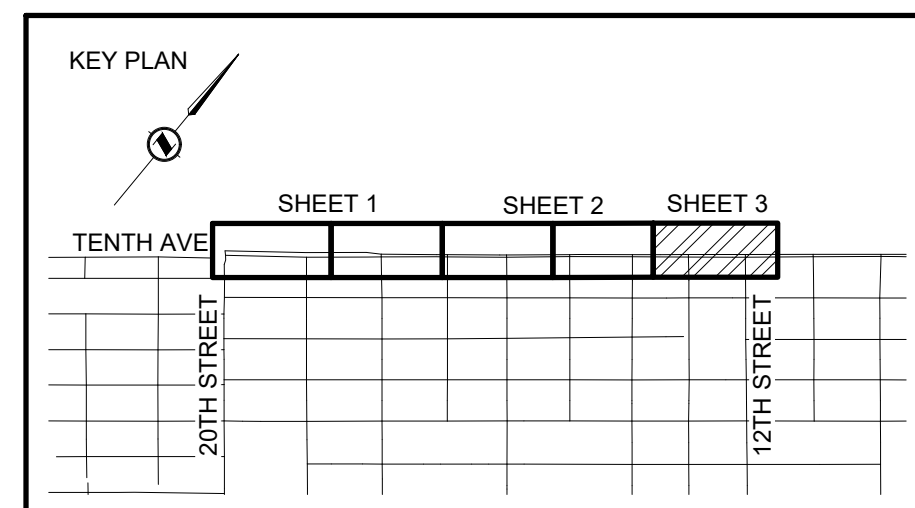
TENTH AVE STREET LIGHTING PLAN - E

LEGEND

EXISTING	PROPOSED	
		9.0m SINGLE DAVIT STREET LIGHT POLE
		8.1m SINGLE DAVIT STREETLIGHT POLE ON TOP OF 0.9m HIGH 60A-120/240V MMCD SERVICE BASE
		POWER POLE
		POWER POLE W/ LUMINAIRE
		FIBRE OPTIC CONDUIT - 103mm RPVC OR DBII WITH #12 RW90 TRACER WIRE DIRECT-BURIED ALONGSIDE
		3 No. 6 RW90 Cu. ST. LTG. & 1 No. 8 RW90 Cu. BOND IN 35mm RPVC
		2 No. 6 RW90 Cu. ST. LTG. & 1 No. 8 RW90 Cu. BOND IN 35mm RPVC
		STUB OUT AND RUN 35mm RPVC FOR FUTURE EXTENSION (CAP CONDUIT LEAVE PULL STRING INSIDE CONDUIT)
		JUNCTION BOX
		ASSUMED LOCATION OF NEW WESTMINSTER ELECTRICAL DEPARTMENT SERVICE BOX

REFER TO SHEET 4 FOR ELEVATIONS

NOT FOR CONSTRUCTION



CITY STREET LIGHTING NOTES

- THE CITY OF NEW WESTMINSTER STREET LIGHT STANDARDS AND SPECIFICATIONS TO APPLY.
- DEVELOPER TO NUMBER POLES AS PER NEW WESTMINSTER INSTRUCTIONS AND THE NUMBERS SHOWN ON THE DRAWINGS.
- ALL POLES ARE TO BE GALVANIZED AND POWDER COAT PAINTED TEXTURED BLACK (NOVA POLE BK70).
- A GROUND PLATE ELECTRODE SHALL BE INSTALLED AT EACH POLE.
- DEVELOPER SHALL OBTAIN ALL PERMITS AND LICENSES PRIOR TO CONSTRUCTION.
- DEVELOPER TO ENSURE THAT ALL STREET LIGHT POLES ARE A MINIMUM OF 3.0M CLEAR OF ALL HYDRO POLES AND OVERHEAD PRIMARY WIRES AND 1M CLEAR OF ALL OVERHEAD SECONDARY WIRES PRIOR TO RELOCATING BASES AND POLES.
- LUMINAIRE FIXTURES SHALL BE LED AS APPROVED BY CITY OF NEW WESTMINSTER.
- ALL STREET LIGHTS ARE TO BE 1.0M CLEAR OF ALL DRIVEWAYS.

EXISTING ELECTRICAL CONDUIT TO BE ABANDONED AND WIRING TO BE REMOVED



CHECK BEFORE YOU DIG

THE LOCATIONS OF EXISTING UNDERGROUND UTILITIES ARE SHOWN IN AN APPROXIMATE WAY ONLY AND HAVE NOT BEEN INDEPENDENTLY VERIFIED BY THE OWNER OR ITS REPRESENTATIVE. SOME UTILITIES MAY NOT BE SHOWN. THE CONTRACTOR SHALL DETERMINE THE EXISTENCE AND EXACT LOCATION OF ALL EXISTING UTILITIES BEFORE COMMENCING WORK AND AGREES TO BE FULLY RESPONSIBLE FOR ANY AND ALL DAMAGES WHICH OCCUR DUE TO THE CONTRACTOR'S FAILURE TO EXACTLY LOCATE AND PRESERVE ANY AND ALL EXISTING UTILITIES.

FIELD LAYOUT TO BE CONFIRMED WITH ENGINEER PRIOR TO CONSTRUCTION

IN THE EVENT OF ANY UTILITY CONFLICTS THE CONTRACTOR SHALL CONTACT GREAT NORTHERN ENGINEERING AT 1-855-463-2266 3 WORKING DAYS PRIOR TO PLANNED INSTALLATION TO ARRANGE FOR THE ENGINEER TO HELP RESOLVE ANY CONFLICTS AND PROVIDE DIRECTION

UTILITY OVERHEAD WIRING

THE CONTRACTOR SHALL ENSURE THAT ALL POLES AND APPURTENANCES WILL MEET THE STANDARDS FOR CLEARANCES PRIOR TO INSTALLING POLE BASES. STANDARDS ARE:

- BC HYDRO OVERHEAD DISTRIBUTION STANDARDS
- CANADIAN ELECTRICAL CODE STANDARD C22.3 No. 1-15 OVERHEAD SYSTEMS
- WORKSAFE BC PART 19 ELECTRICAL SAFETY OF THE OH&S REGULATIONS.

CITY
NEW WESTMINSTER
 ENGINEERING DEPARTMENT
 PHONE: 604-527-4592

CITY PROJECT No. CITY DRAWING No.

GNEC
 Great Northern Engineering Consultants
 202 - 8525 Baxter Place
 Burnaby, BC V5A 4V7
 Phone: 1-855-463-2266
 www.gnec.ca

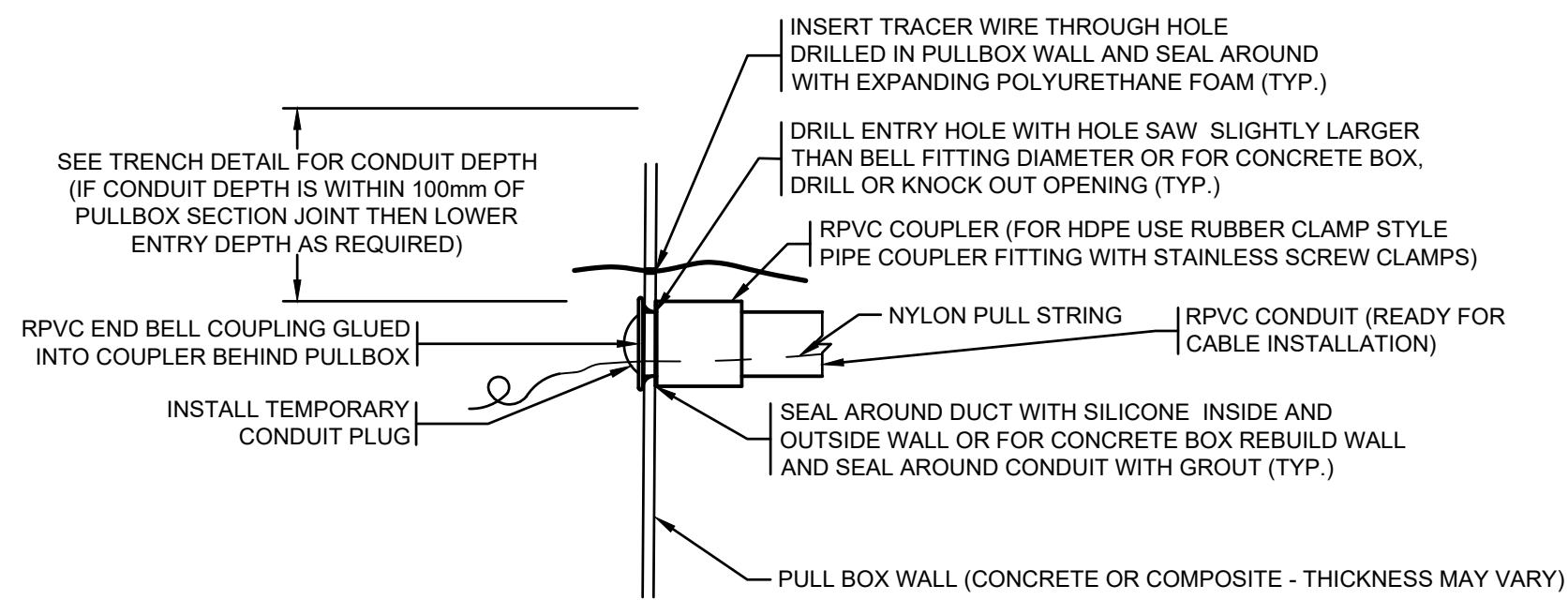
SEAL
 PROFESSIONAL ENGINEER
 D. J. METZ
 2018-10-25

REVISION TABLE				
REV	DESCRIPTION	DSGN	APPR	DATE
0	FIRST SUBMISSION	IW	DM	18.06.29
1	SECOND SUBMISSION	IW	DM	18.07.06
2	ISSUED FOR ADDENDUM	IW	DM	18.09.11
3	ISSUED FOR NEW TENDER	IW	DM	18.10.25

PROJECT DESCRIPTION
**10TH AVE. - 20TH ST. TO 12TH ST.
 NEW WESTMINSTER, BC**

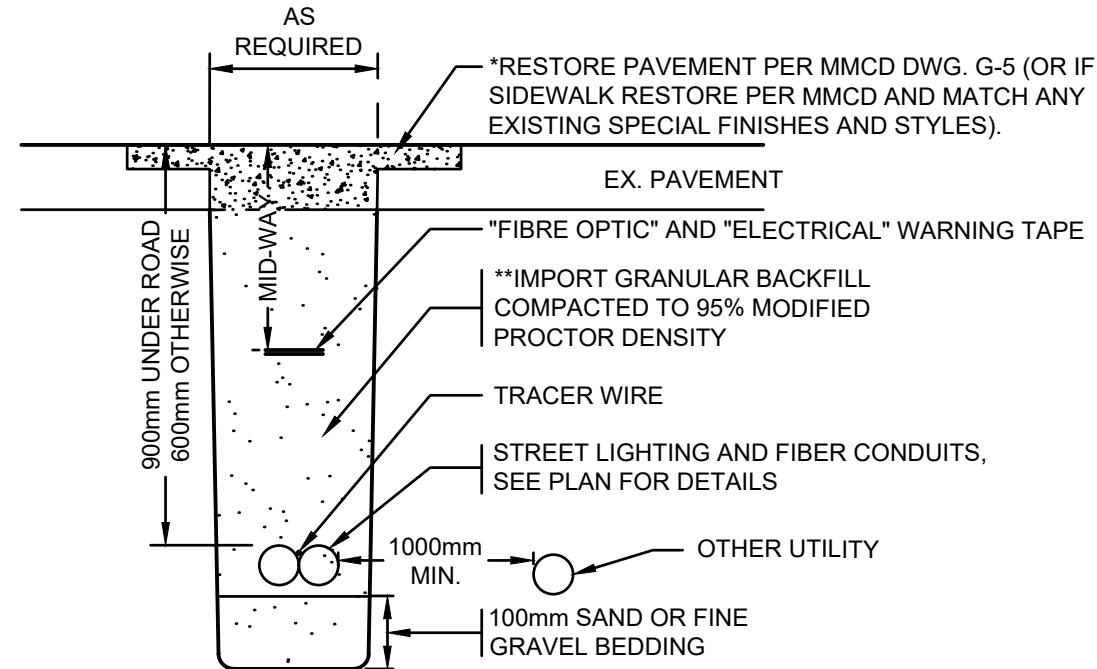
DRAWING TITLE
**STREET LIGHTING AND FIBRE OPTIC
 INSTALLATION**

0	1:500	20	GNEC No. 18BC-0080	DWG No. STL-03	SHT No. 3 of 4	REV 3
---	-------	----	--------------------	----------------	----------------	-------



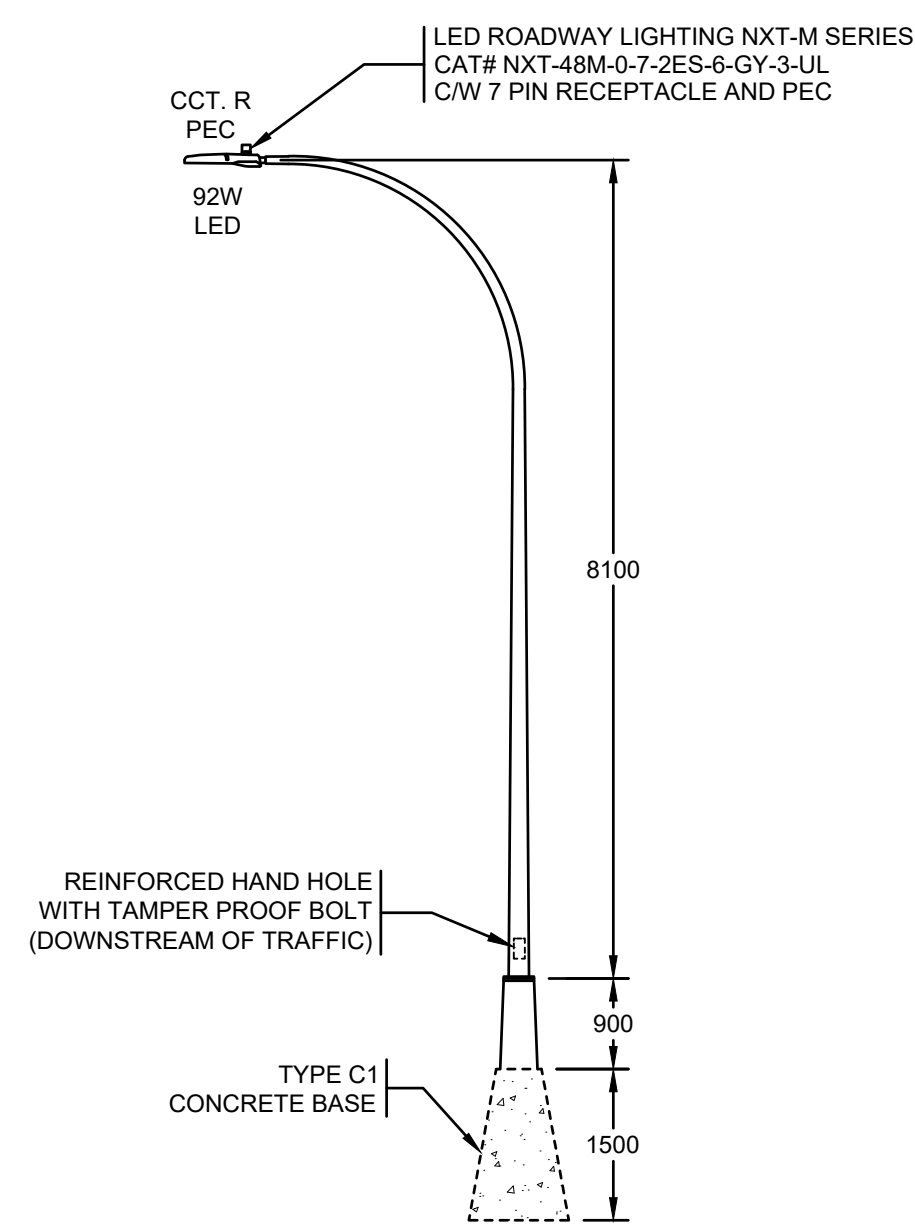
SECTIONAL VIEW
(WITH BELL END AND PLUG, READY FOR CABLE INSTALL)

DETAIL CONDUIT
N.T.S. PULL BOX ENTRY DETAILS

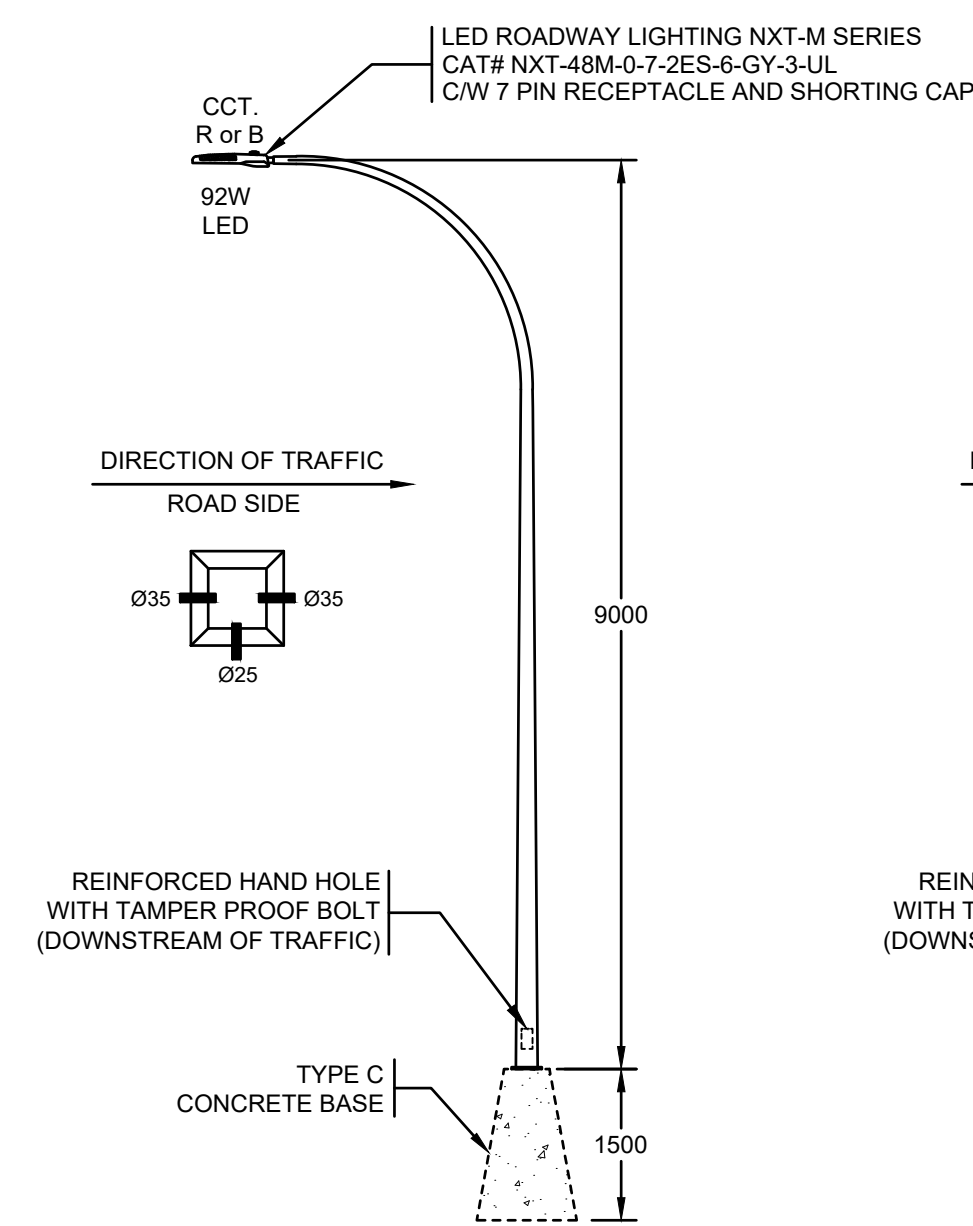


* SEE GENERAL NOTES SHEET 1 FOR RESTORATION OF OTHER SURFACE TYPES.
** NATIVE BACKFILL IS PERMITTED FOR NON-TRAVELED AREAS

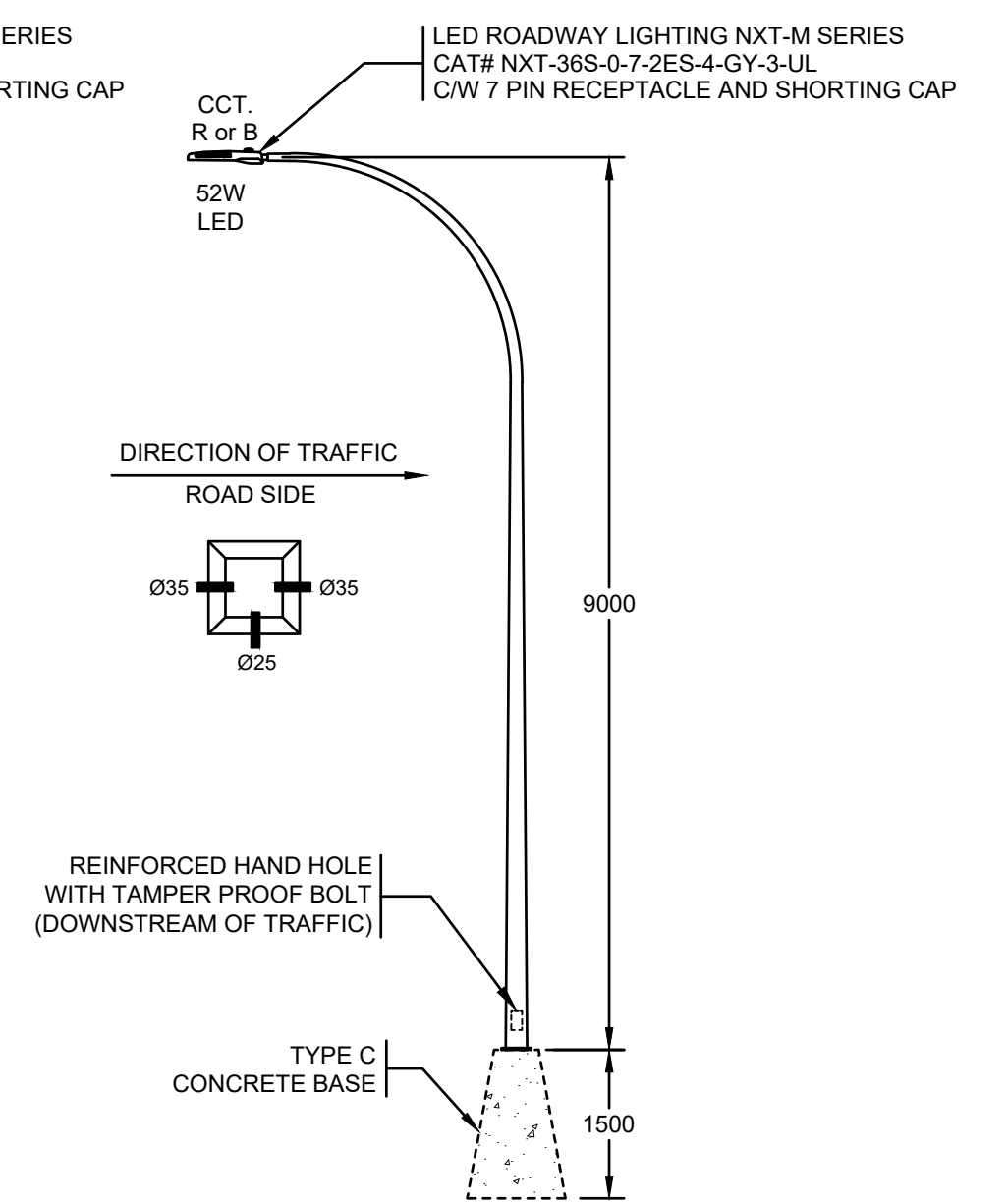
DETAIL DEEP CONDUIT
N.T.S. TYPICAL TRENCH



TENTH AVE - 20TH ST. TO 12TH ST. 92W
8.1m DAVIT c/w 0.9m SERVICE BASE

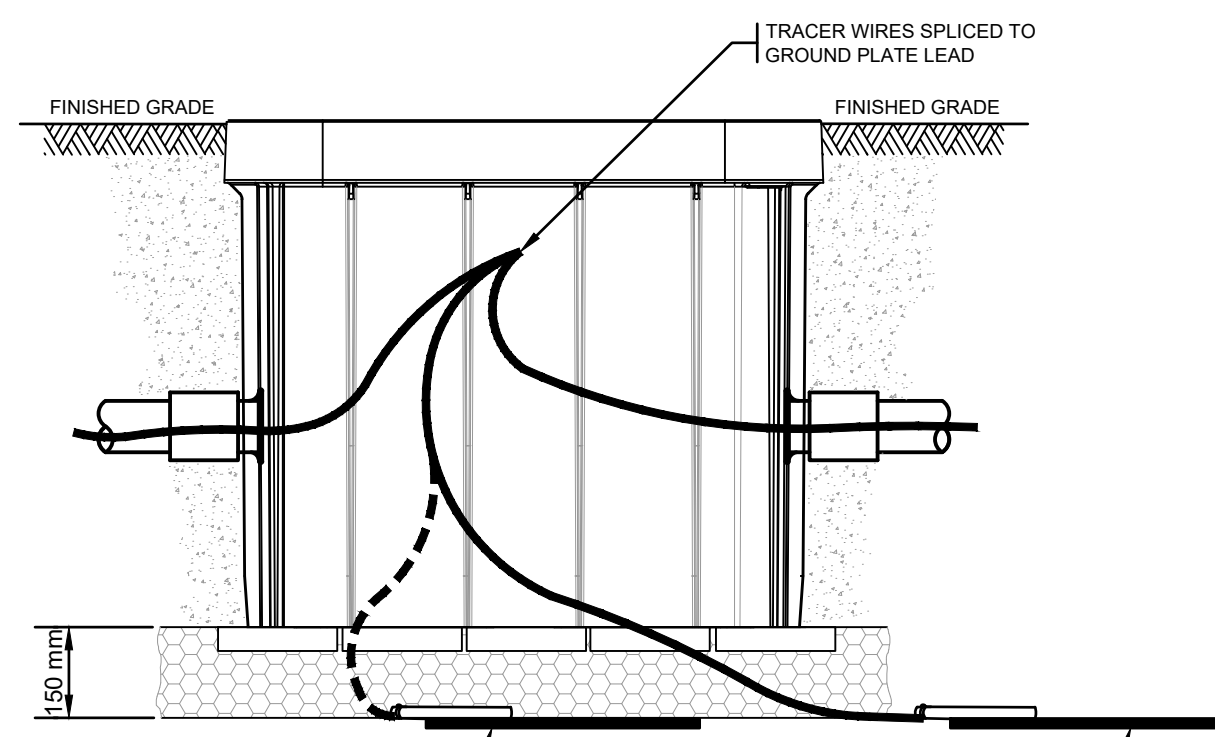


TENTH AVE - 20TH ST. TO 12TH ST. 92W 9.0m SINGLE DAVIT

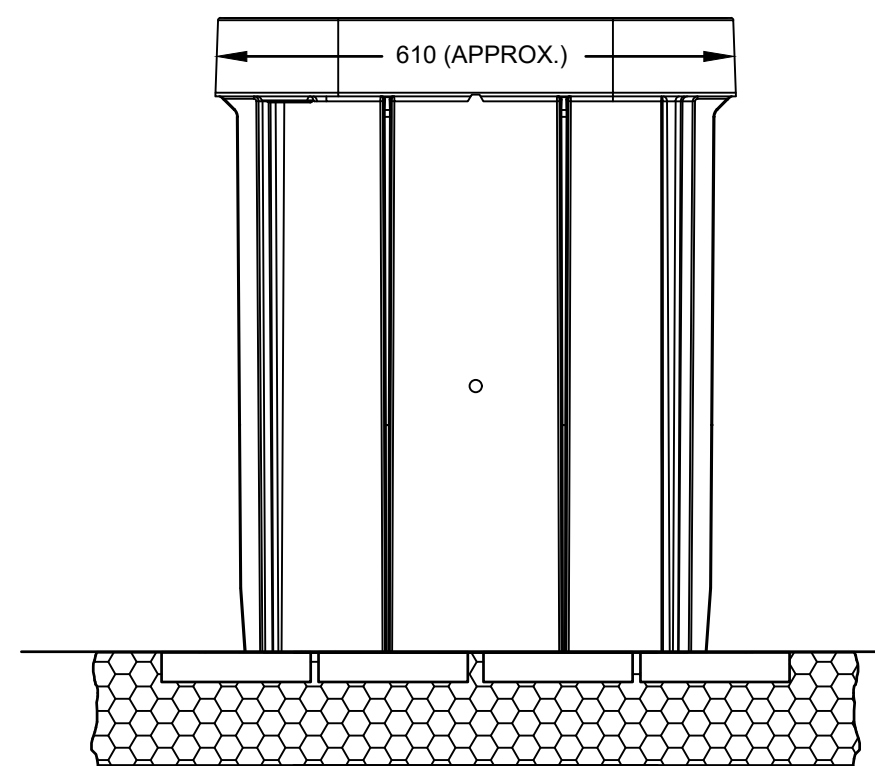


TENTH AVE - 20TH ST. TO 12TH ST. (LOCAL STREET) 52W 9.0m SINGLE DAVIT

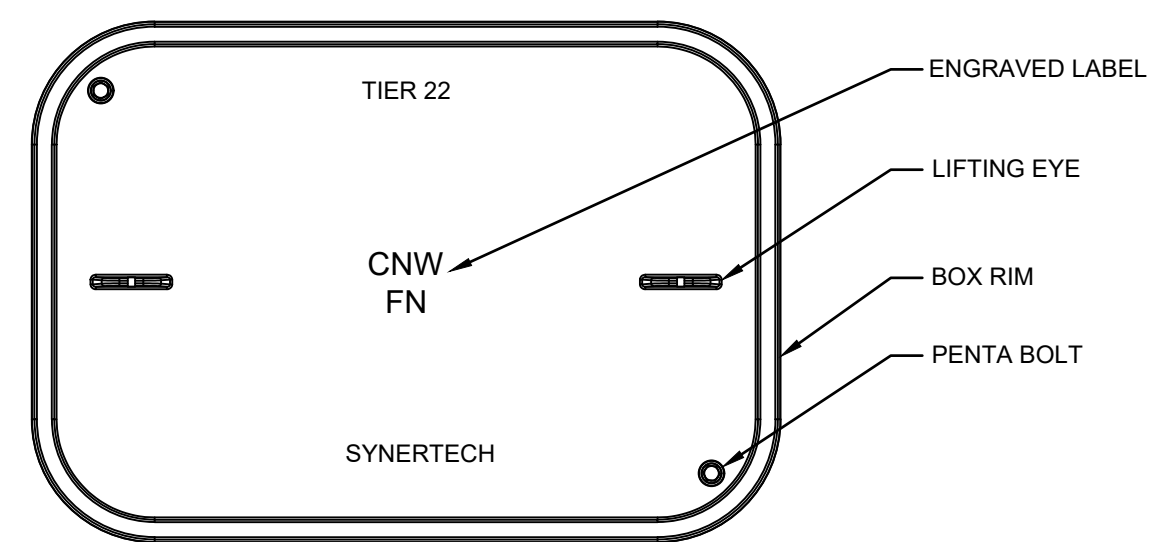
ELEVATION
0 1:75 5



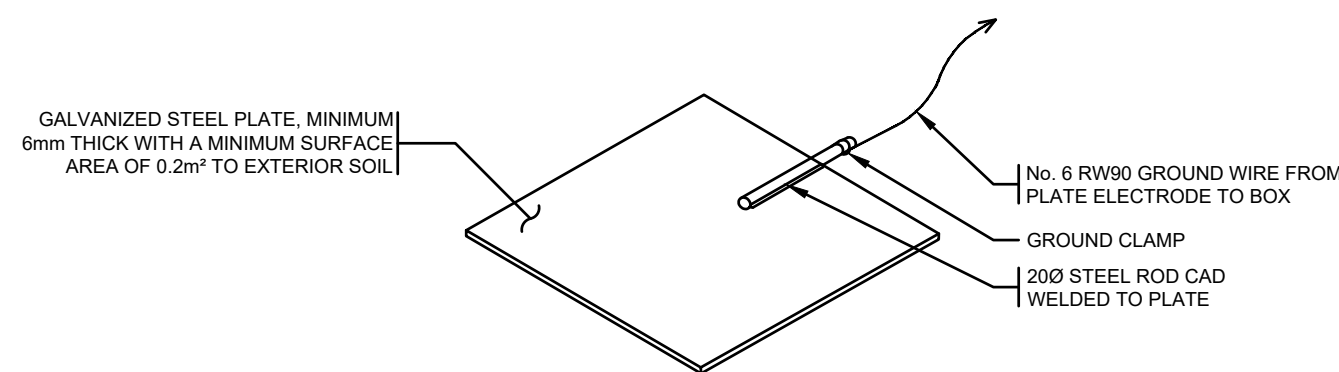
SIDE OF BOX ELEVATION



END OF BOX ELEVATION



BOX WITH ONE - PIECE POLY-CONCRETE LID - PLAN VIEW



GROUND PLATE ELECTRODE

DETAIL SYNERTECH PULL BOX
N.T.S. INSTALLATION DETAILS

INSTALLATION NOTES:

- REFER TO MMCD SECTION 16550 FOR DETAILED SPECIFICATIONS.
- ALL DIMENSIONS IN MILLIMETERS UNLESS OTHERWISE NOTED.
- THE BOX DIMENSIONS NOTED IN THIS DETAIL ARE FOR SYNERTECH'S 2436-36 PULL BOX, 1118-18 PULL BOX DIMENSIONS VARY - SEE MFR SHOP DRAWINGS FOR FURTHER DETAILS.
- INSTALL LID ON PULL BOX BEFORE BACKFILLING, TAMPING & PAVING OPERATIONS.
- INSTALL TOP OF BOX FLUSH WITH FINISHED GRADE.
- PULL BOX TO BE "SYNERTECH DUO-MOLD 2436-36" SINGLE SECTION TYPE WITH TOTAL DEPTH OF 36 INCHES (914mm).
- LONGEST DIMENSION OF BOX TO BE ORIENTED PARALLEL TO DUCT BANK (DUCTS ENTER SHORT SIDES OF BOX) UNLESS OTHERWISE APPROVED BY BRIDGENET (SERVICE LATERALS MAY ENTER LONG SIDE OF BOX).
- PULL BOX LID TO BE ONE-PIECE POLY-CONCRETE BOLT DOWN TYPE AND SHALL BE SUITABLE FOR MINIMUM TIER 15 (20K) LOADING.
- 1 PIECE PULL BOX LID TO BE ENGRAVED "CNW FN" WITH ALL UPPERCASE LETTERS.
- DUCT ENTRIES TO BOXES TO BE SECURELY SEALED AROUND DUCTS.
- EMPTY DUCTS TO BE PROVIDED WITH NYLON BRAIDED PULL STRING AND TO BE CAPPED.
- PULL BOX SHALL BE OPEN BOTTOM TYPE.
- ALL PULL BOXES SHALL BE ADJUSTED TO BE FLUSH WITH FINAL SURFACE GRADE.
- PULL BOXES SHALL NEVER BE SITUATED IN ROADWAYS, DRIVEWAYS OR PARKING SURFACES.
- PULL BOX SHALL BE SUPPORTED WITH CONCRETE PAVER BRICKS AND OPEN AREA UNDER BOX TO BE FULLY COVERED WITH PAVER BRICKS (DOUBLE LAYER OF FILTER CLOTH BELOW DRAIN ROCK IS AN ACCEPTABLE ALTERNATE TO BRICKS)
- PULL BOXES IN SIDEWALKS SHALL BE SUPPORTED BY SIDEWALK CONCRETE EXTENDING UNDER TOP FLANGE TO PREVENT BOX SETTLEMENT.
- LID HOLD-DOWN BOLTS TO BE SPECIAL STAINLESS STEEL PENTAGONAL HEAD TYPE WITH STAINLESS STEEL BOLT HARDWARE ON TOP SECTION OF BOX.
- PULL BOXES IN ONGOING CONSTRUCTION AREAS SHALL BE SUFFICIENTLY MARKED WITH STAKES AND HOARDING SURROUNDING THE BOX TO PREVENT DAMAGE/BURIAL BY CONSTRUCTION VEHICLES/EQUIPMENT.
- LABEL DUCTS/MICRODUCTS PER BRIDGENET SPECIFICATIONS.

CITY STREET LIGHTING NOTES

- THE CITY OF NEW WESTMINSTER STREET LIGHT STANDARDS AND SPECIFICATIONS TO APPLY.
- DEVELOPER TO NUMBER POLES AS PER NEW WESTMINSTER INSTRUCTIONS AND THE NUMBERS SHOWN ON THE DRAWINGS.
- ALL POLES ARE TO BE GALVANIZED AND POWDER COAT PAINTED TEXTURED BLACK (NOVA POLE BK70).
- A GROUND PLATE ELECTRODE SHALL BE INSTALLED AT EACH POLE.
- DEVELOPER SHALL OBTAIN ALL PERMITS AND LICENSES PRIOR TO CONSTRUCTION.
- DEVELOPER TO ENSURE THAT ALL STREET LIGHT POLES ARE A MINIMUM OF 3.0m CLEAR OF ALL HYDRO POLES AND OVERHEAD PRIMARY WIRES AND 1m CLEAR OF ALL OVERHEAD SECONDARY WIRES PRIOR TO RELOCATING BASES AND POLES.
- LUMINAIRE FIXTURES SHALL BE LED AS APPROVED BY CITY OF NEW WESTMINSTER.
- ALL STREET LIGHTS ARE TO BE 1.0m CLEAR OF ALL DRIVEWAYS.

NOT FOR CONSTRUCTION



CHECK BEFORE YOU DIG
THE LOCATIONS OF EXISTING UNDERGROUND UTILITIES ARE SHOWN IN AN APPROXIMATE WAY ONLY AND HAVE NOT BEEN INDEPENDENTLY VERIFIED BY THE OWNER OR ITS REPRESENTATIVE. SOME UTILITIES MAY NOT BE SHOWN. THE CONTRACTOR SHALL DETERMINE THE EXISTENCE AND EXACT LOCATION OF ALL EXISTING UTILITIES BEFORE COMMENCING WORK AND AGREES TO BE FULLY RESPONSIBLE FOR ANY AND ALL DAMAGES WHICH OCCUR DUE TO THE CONTRACTOR'S FAILURE TO EXACTLY LOCATE AND PRESERVE ANY AND ALL EXISTING UTILITIES.

FIELD LAYOUT TO BE CONFIRMED WITH ENGINEER PRIOR TO CONSTRUCTION

IN THE EVENT OF ANY UTILITY CONFLICTS THE CONTRACTOR SHALL CONTACT GREAT NORTHERN ENGINEERING AT 1-855-463-2266 3 WORKING DAYS PRIOR TO PLANNED INSTALLATION TO ARRANGE FOR THE ENGINEER TO HELP RESOLVE ANY CONFLICTS AND PROVIDE DIRECTION

UTILITY OVERHEAD WIRING

THE CONTRACTOR SHALL ENSURE THAT ALL POLES AND APPURTENANCES WILL MEET THE STANDARDS FOR CLEARANCES PRIOR TO INSTALLING POLE BASES. STANDARDS ARE:

- BC HYDRO OVERHEAD DISTRIBUTION STANDARDS
- CANADIAN ELECTRICAL CODE STANDARD C22.3 No. 1-15 OVERHEAD SYSTEMS
- WORKSAFE BC PART 19 ELECTRICAL SAFETY OF THE OH&S REGULATIONS.

CITY
NEW WESTMINSTER
ENGINEERING DEPARTMENT
PHONE: 604-527-4592

CITY PROJECT No. - CITY DRAWING No. -

GNEC
Great Northern Engineering Consultants
202 - 8525 Baxter Place
Burnaby, BC V5A 4V7
Phone: 1-855-463-2266
www.gnec.ca

SEAL
PROFESSIONAL ENGINEER
D. J. METZ
2018-10-25

REVISION TABLE

REV	DESCRIPTION	DSGN	APPR	DATE
0	FIRST SUBMISSION	IW	DM	18.06.29
1	SECOND SUBMISSION	IW	DM	18.07.06
2	ISSUED FOR ADDENDUM	IW	DM	18.09.11
3	ISSUED FOR NEW TENDER	IW	DM	18.10.25

PROJECT DESCRIPTION
**10TH AVE. - 20TH ST. TO 12TH ST.
NEW WESTMINSTER, BC**

DRAWING TITLE
DETAILS

0 1:500 20 GNEC No. 18BC-0080 DWG No. STL-04 SHT No. 4 of 4 REV 3