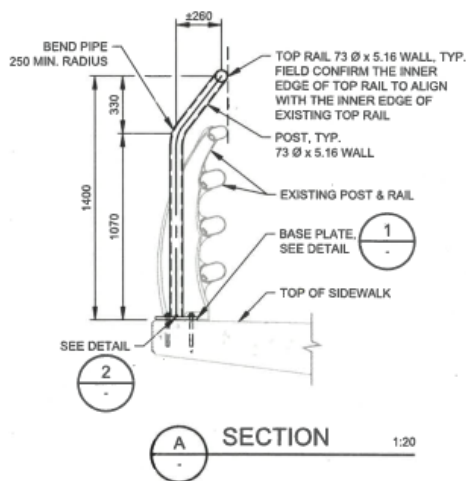


November 16, 2022

**ENQUIRIES AND RESPONSES # 1**  
**NWIT-22-17**  
**Central Valley Greenway / North Road Improvements**  
**New Westminster, BC**

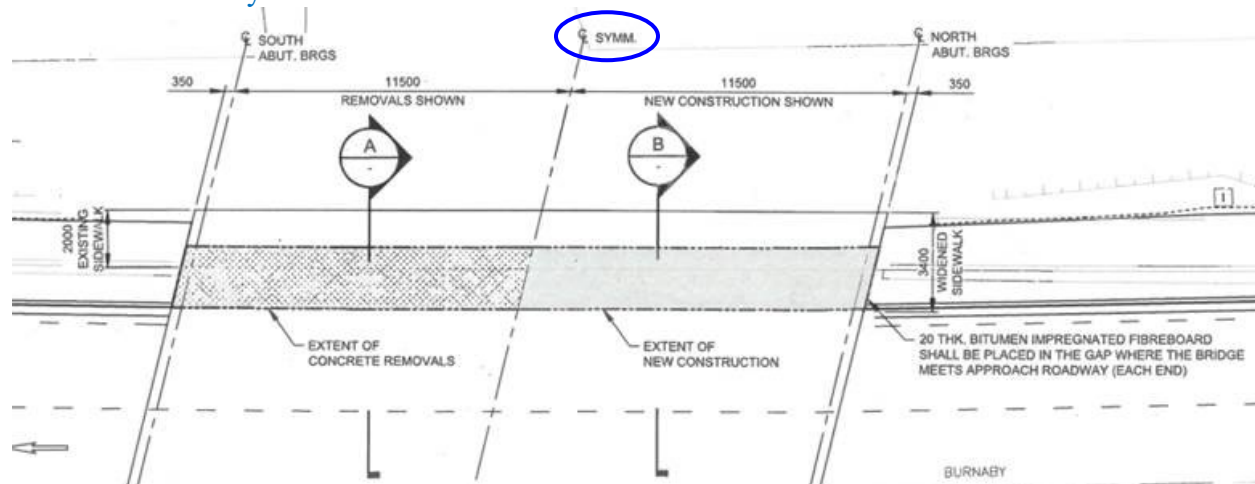
**ANSWERS TO SUBMITTED QUESTIONS**

- Q1 There are no Signage Drawings, but there are specific Line Items on the Schedule of Quantities for Relocates and S&I New signage (Phase 2).
- A1 For item 10.2, signage relocates notes are included on the civil plan – Drawing C03, associated with a signal pole relocate and streetlight relocate. Please enter a cost of \$0.00 (no cost) for item 10.3, as no new sign supply and install is included in the contract drawings.
- Q2 What is the anticipated start date for the project?
- A2 Ideally December but we recognize some work is weather dependent
- Q3 Do the new railings go between the existing rails or just on the top of the existing railings?
- A3 The posts of the new railing are installed between the existing railing posts as shown in Section A. There is only a single continuous top rail. The new top rail aligns with the existing railing's top rail.



Q4 Could you please clarify the scope of the concrete removal on new construction on the bridge shown on Drawing 2240-00-S-101? Per the drawing, we would be removing concrete for half the bridge, and widening the second half.

A4 The extent of concrete removal and sidewalk widening is for the entire span of the bridge. The “CL Symmetrical” shows the work is mirrored.



### END of Enquiries and Responses #1

Yours truly,

Heather M. Rossi  
Intermediate Buyer