

New Westminster Electric Utility Vista Switchgear Requirements

This document provides information on Vista Switchgear requirements for new developments in New Westminster.

Background

In order to meet the growing electrical demand of new developments, the New Westminster Electric Utility will require dedicated space to place Vista Switchgear on private property. Developments that require a privately-owned transformer of a certain size may be required to provide this space in the form of a Statutory Right of Way on their property. In some circumstances there may be opportunities to place Vista Switchgear on the City's right of way, but the onus will be on the developer to ensure this meets the City's requirements.

Vista Switchgear Requirements:

For new buildings that require a transformer sized 2000kVA and above, as determined by a professional engineer, a Vista Switchgear unit will likely be required on their property. Note that, occasionally, a transformer sized under 2000kVA could trigger the need for a Vista Switchgear if it is deemed necessary to complete electrical undergrounding in that area.

The Vista Switchgear will be either an above-ground or subsurface unit, as specified by the New Westminster Electrical Utility. Both types of Vista Switchgear have a significant underground footprint, and have working space requirements above ground. The working space requirements and dimensions are as follows:

Above Ground Vista:

Underground footprint: 3.7 meters x 2.2 meters x 2.73 meters

Working space: 7.7 meters x 4.2 meters

Subsurface Vista:

Underground footprint: 3.07 meters x 2.31 meters

Working Space: 5.0 meters x 4.4 meters

The unobstructed working space dimensions will need to be met wherever the Vista Switchgear is installed. If located on private property, a Statutory Right of Way will be required for all portions of the working space not on City property.

Vista Switchgear Dimensions:

Figures 1-3 show the dimensions, working space, and grounding requirements for above ground Vistas, and Figures 4-5 show the same for below ground Vistas.

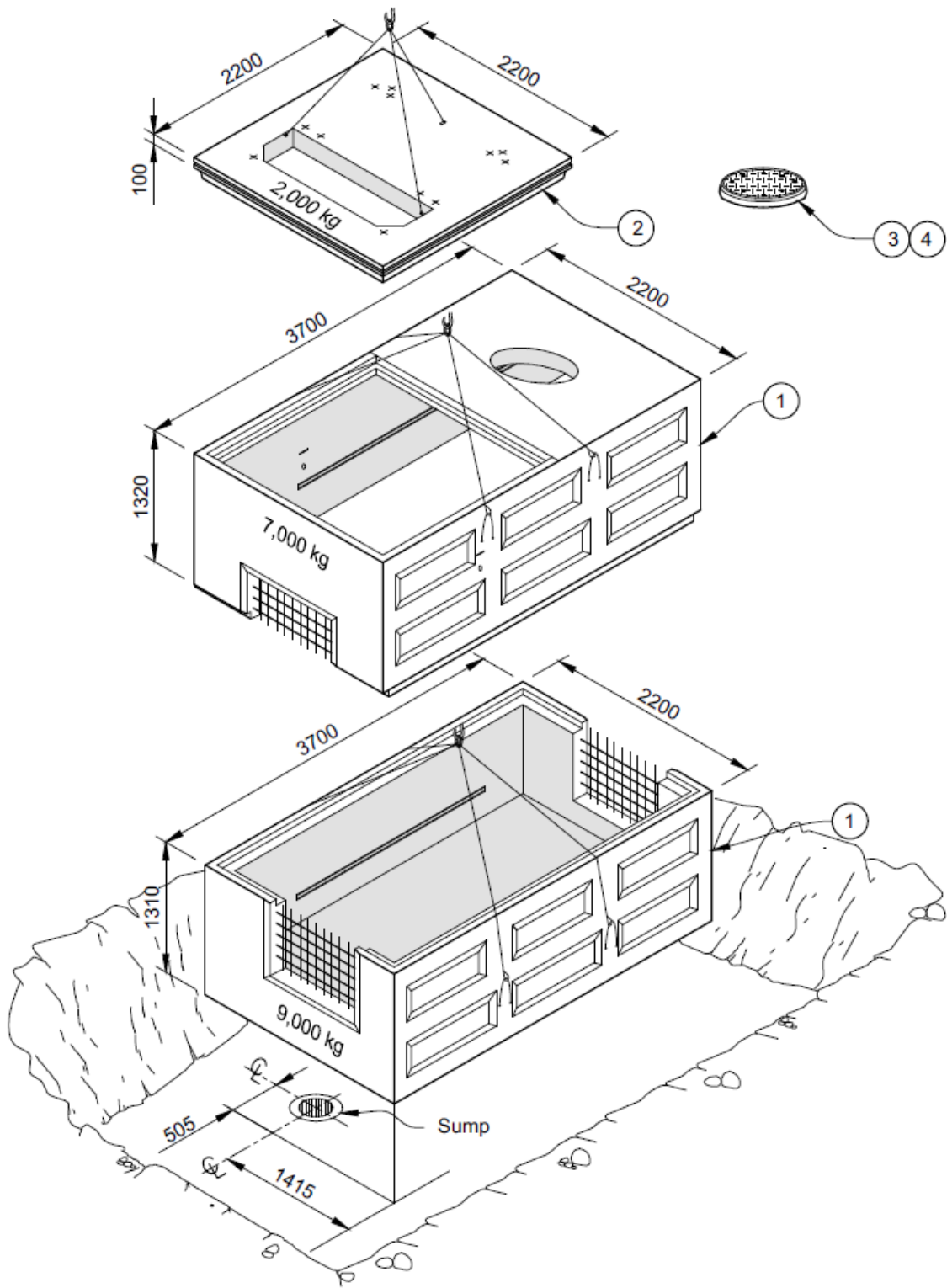


Figure 1 – Above Ground Switchgear Footprint

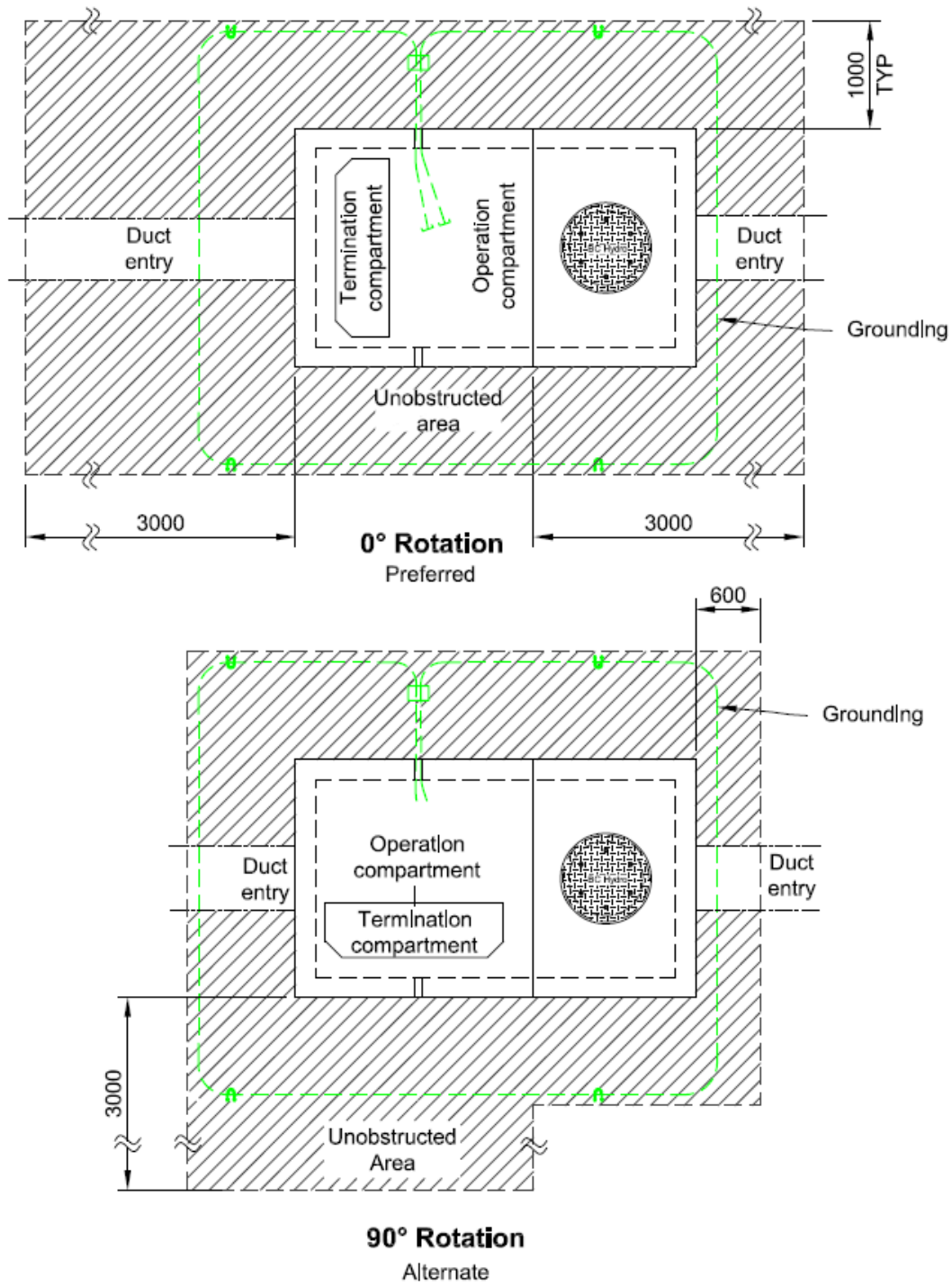
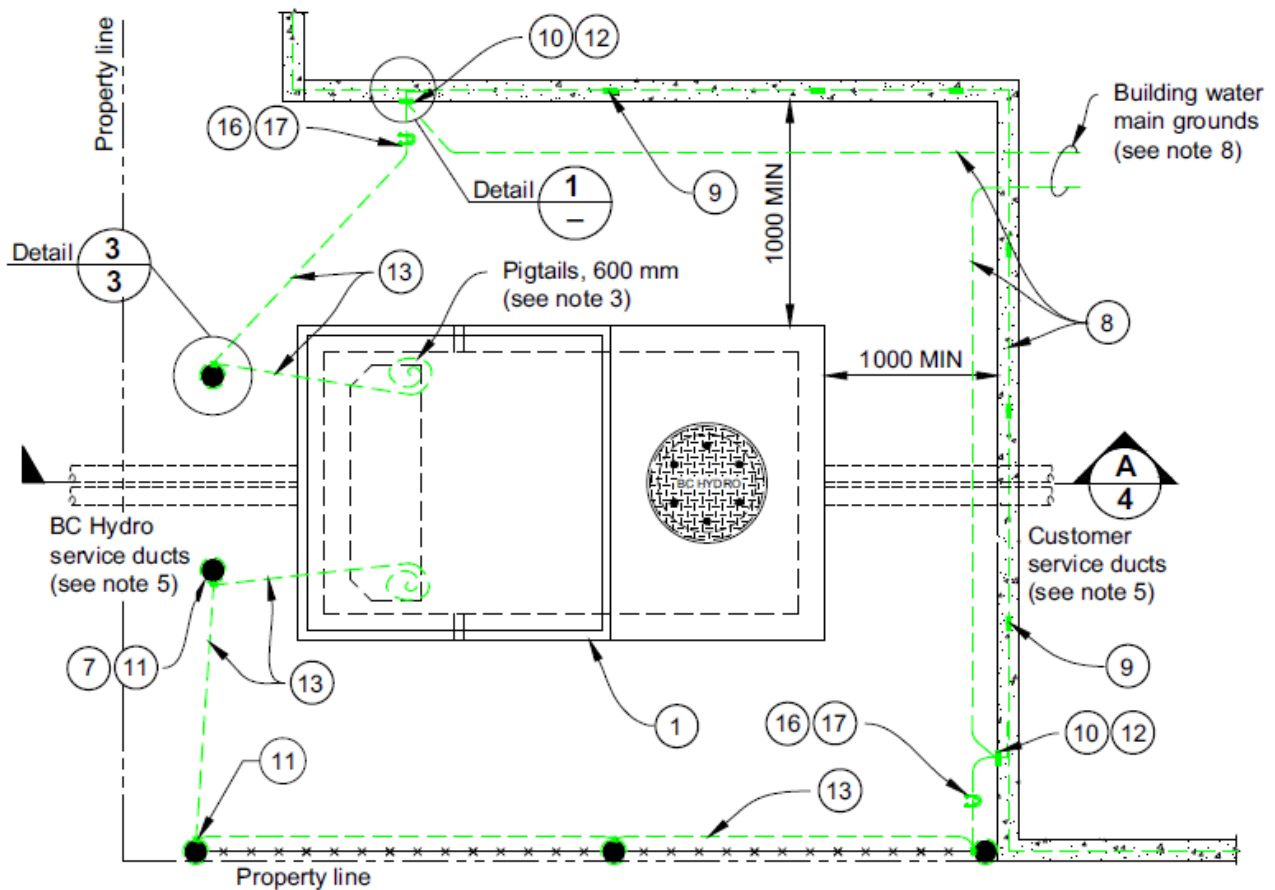


Figure 2 – Above Ground Switchgear Working Space



Plan View
(Customer Grounding)

CAUTION:
All customer owned grounding components shall be CSA certified and marked for direct burial installation.

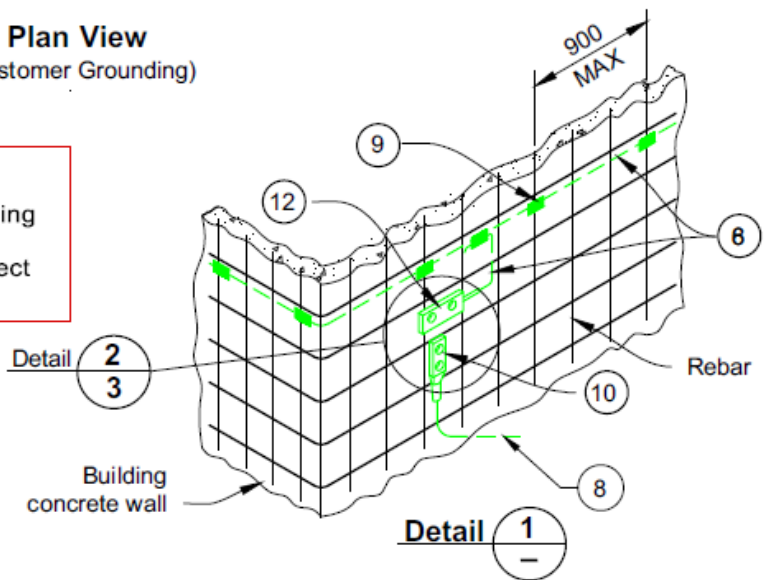


Figure 3 – Above Ground Switchgear Grounding Detail

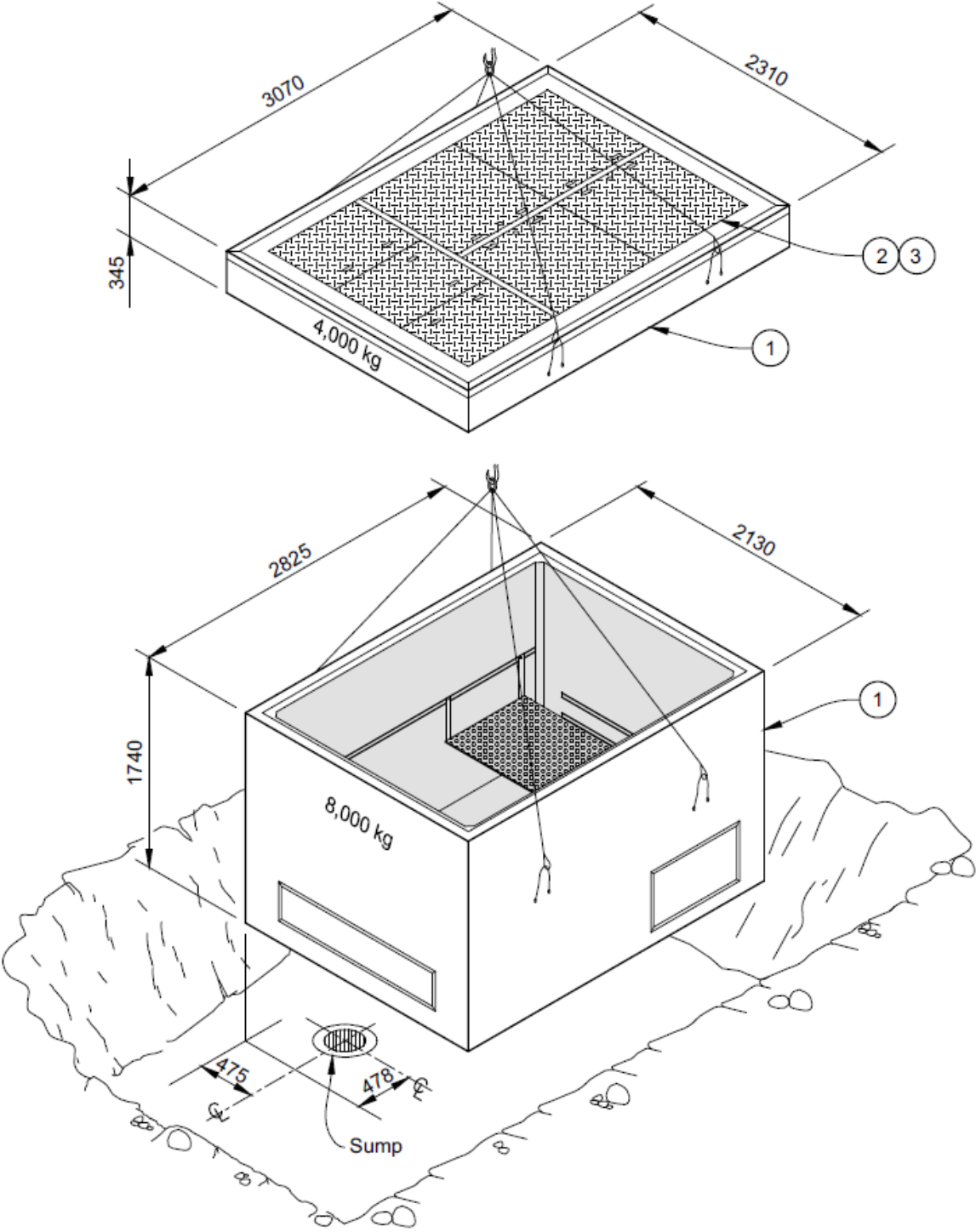


Figure 4 – Below Ground Switchgear Footprint

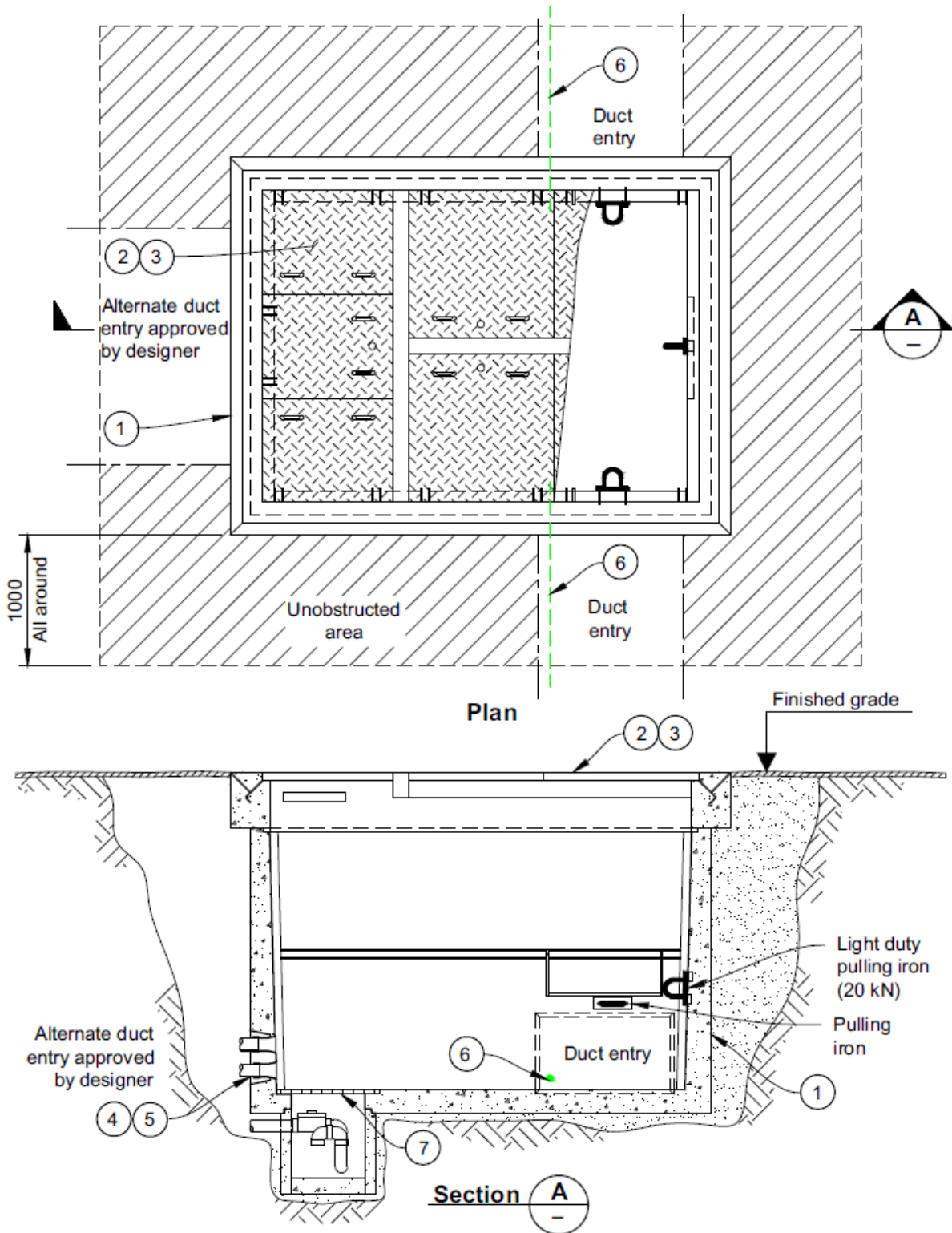


Figure 5 – Below Ground Switchgear Working Space

More Information

For more information contact Marc Rutishauser, Manager of Electrical Engineering Design and Planning at 604 527-4533 or mrutishauser@newwestcity.ca