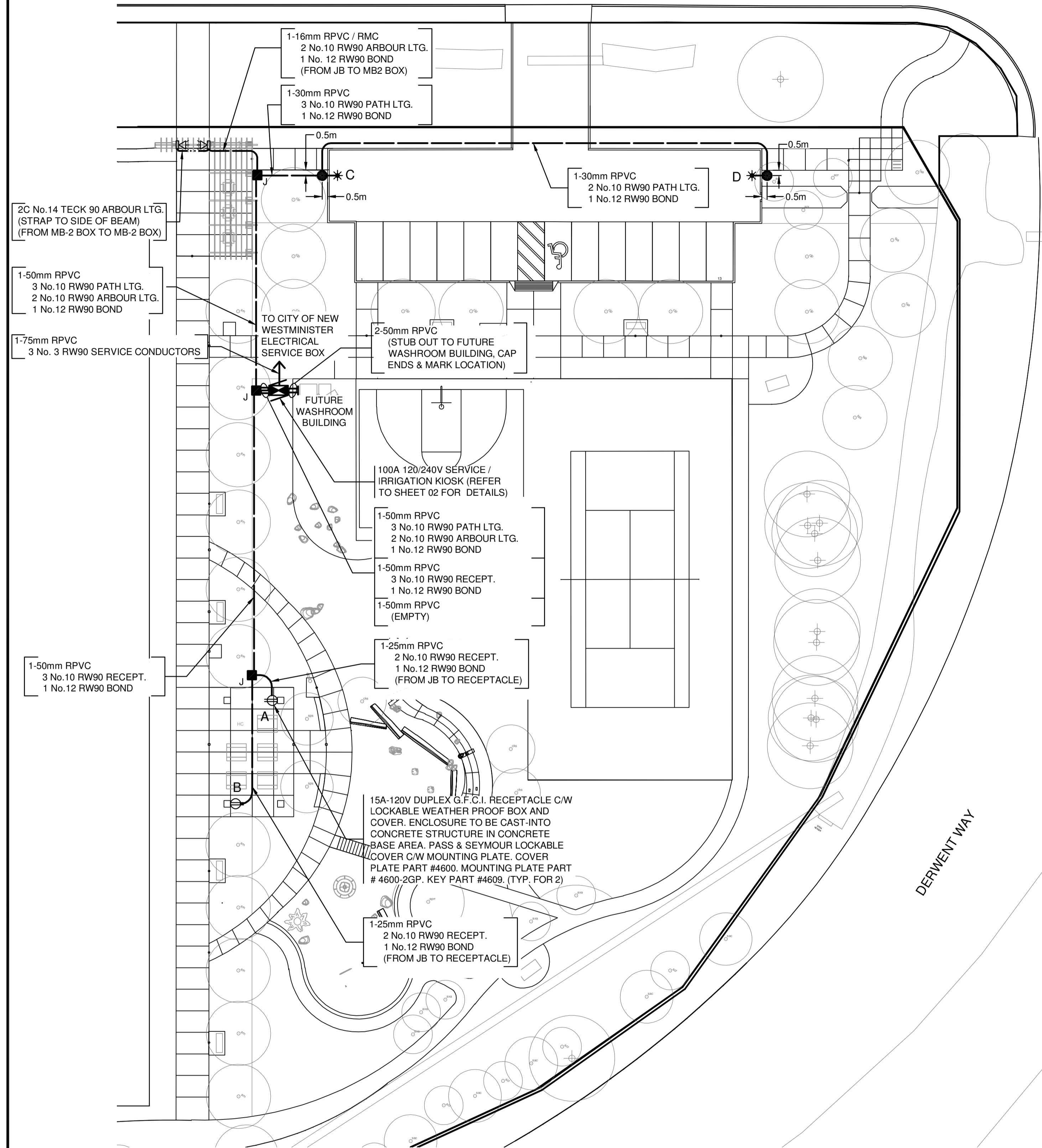


EWEN AVENUE

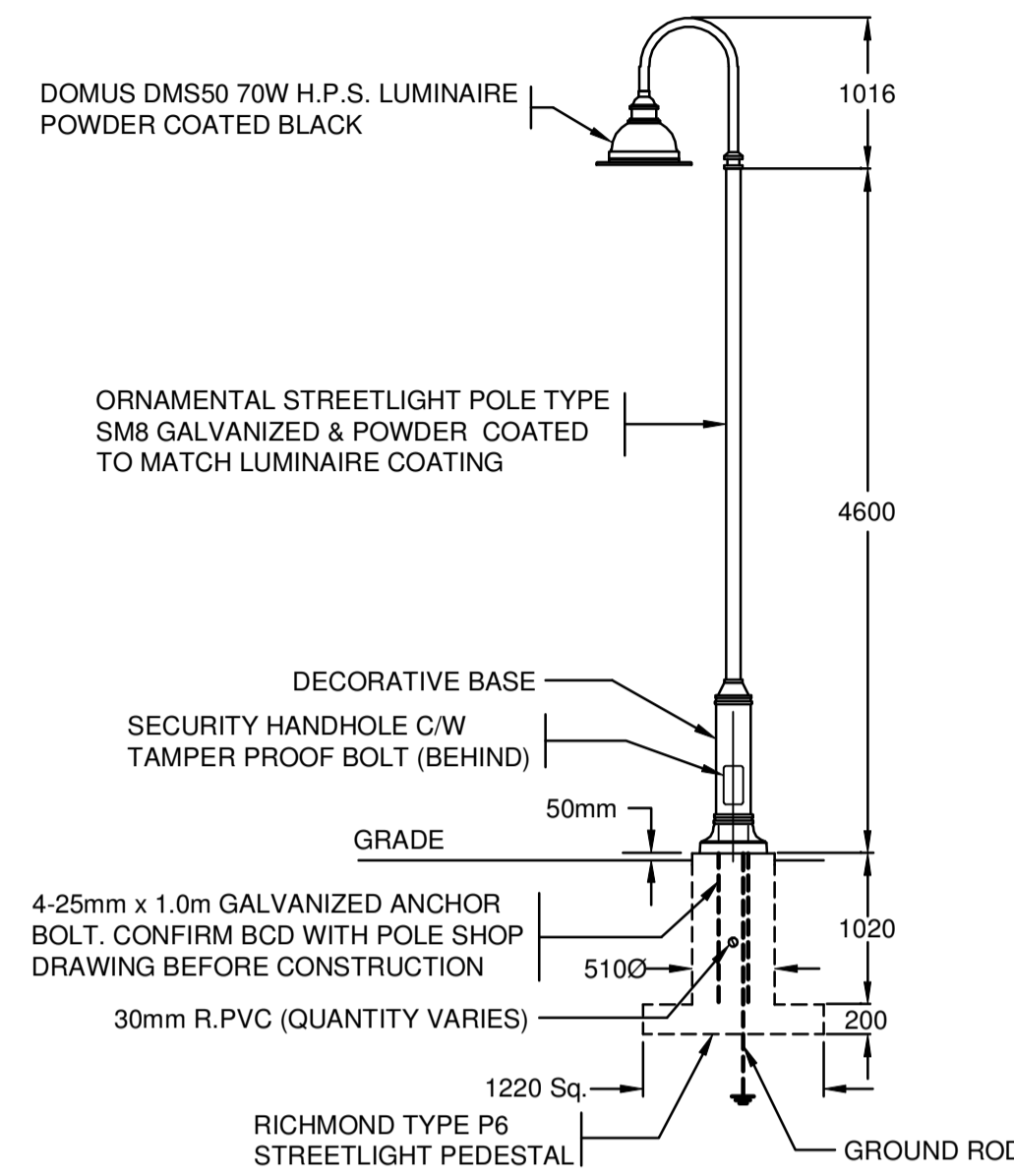


LEGEND

- * PROPOSED POST-TOP DECORATIVE PATHWAY POLE (4.6M-70W-HPS) IES TYPE 2 OPTICS C/W DOMUS DM550 LUMINAIRE AND CLEAR LAMP
- ⊗ PROPOSED ENTRY ARBOUR LUMINAIRE, B-K LIGHTING DELTA STAR SERIES (DS-8-BLW-10-11-A) MOUNTED ON MB-2 BOX C/W COVER (BC1-BLW) AND TRANSFORMER (TRSS75-120)
- ⊕ PROPOSED DUPLEX GFCI RECEPTACLE C/W LOCKABLE RECEPTACLE ENCLOSURE
- A & C LUMINAIRE/RECEPT ON RED PHASE CONDUCTOR
- B & D LUMINAIRE/RECEPT ON BLACK PHASE CONDUCTOR
- ⊠ PROPOSED SERVICE / IRRIGATION KIOSK (REFER TO SHEET 02 FOR DETAILS)
- J PROPOSED LARGE RECTANGULAR PLASTIC JUNCTION BOX 2 SECTIONS DEEP C/W GREEN PLASTIC LID (WEST COAST ENGINEERING #25100 C/W #25500 LID)
- PROPOSED RPVC CONDUIT AND CONDUCTORS
- PROPOSED STUB OUT AND CAP 50mm RPVC FOR FUTURE EXTENSION (CAP END & MARK LOCATION)

NOTES


1. ALL WORK SHALL BE DONE IN ACCORDANCE WITH THE MMCD SECTION 16550, THE CITY OF NEW WESTMINSTER STANDARDS AND SPECIFICATIONS, CURRENT ISSUE, AND THE CANADIAN ELECTRICAL CODE AND ALL AMENDMENTS AS ISSUED BY THE ELECTRICAL SAFETY BRANCH.
2. CONTRACTOR TO NOTIFY PROVINCIAL AND MUNICIPAL INSPECTORS 48 HOURS PRIOR TO COMMENCEMENT OF U/G AND ELECTRICAL WORK.
3. A TRON HEB SERIES WATER RESISTANT FUSEHOLDER C/W 10A BUSS KTK 10 FUSE, OR APPROVED EQUAL AND TWO TYPE 'L' INSULATING BOOTS SHALL BE INSTALLED IN EACH LUMINAIRE LIVE CONDUCTOR IN THE HANDHOLE.
4. CONDUCTORS INSIDE POLE SHALL BE:
 - 2 No.10 RW90 — 30mm RPVC (UNLESS OTHERWISE NOTED)
 - 1 No.12 RW90
5. ALL COMMON CIRCUIT WIRING SHALL BE TAGGED & TY-RAPPED AS DETAILED IN THE MMCD.
6. ALL CONDUCTORS SHALL BE STRANDED COPPER, TYPE RW90 INSULATED AND COLOUR CODED.
7. POLES SHALL BE HOT DIPPED GALVANIZED.
8. EXACT POSITION OF ALL EQUIPMENT WILL BE LAYED OUT BY THE CONTRACTOR & CONFIRMED BY DMD & CITY IN THE FIELD.
9. PROVIDE PULL STRINGS IN ALL EMPTY CONDUITS.
10. CONTRACTOR SHALL SUBMIT POLE, LUMINAIRE, BALLAST AND LAMP SHOP DRAWINGS TO DMD PRIOR TO EQUIPMENT ORDERING.
11. LAMPS SHALL BE TESTED AND APPROVED BY BALLAST MANUFACTURER AS SUITABLE FOR ELECTRONIC BALLAST OPERATION. SUPPLY ONE EXTRA BALLAST AND 6 EXTRA LAMPS TO CNW MAINTENANCE DEPARTMENT.
12. CONTRACTOR SHALL KEEP A RECORD OF ALL ELECTRICAL INSTALLATION ON DEDICATED SET OF DRAWINGS AND SUBMIT AS BUILT INFORMATION TO ELECTRICAL CONSULTANT (DMD AND ASSOCIATES LTD.) WITHIN 2 WEEKS AFTER END OF CONSTRUCTION. THIS IS A CONDITION OF SUBSTANTIAL PERFORMANCE.
13. CONTRACTOR SHALL LOCATE AND AVOID ALL UNDERGROUND SERVICES.
14. SECURITY HANDHOLE COVER C/W TAMPER PROOF BOLTS TO BE INSTALLED ON ALL POLES.
15. THE CONTRACTOR SHALL CONFIRM EXACT SERVICE LOCATION WITH THE CITY OF NEW WESTMINSTER PRIOR TO CONSTRUCTION.
16. EACH CONCRETE BASE SHALL HAVE A 20mm x 3.0m LONG GALVANIZED GROUND ROD.
17. REFER TO LANDSCAPE DRAWINGS FOR ADDITIONAL DETAILS.



TYPICAL POST-TOP DECORATIVE PATHWAY POLE ELEVATION
1:50

NOT FOR CONSTRUCTION
2010-08-20

CHECK BEFORE YOU DIG
CONTRACTOR SHALL REFER TO MUNICIPAL RECORD / CIVIL DESIGN DRAWINGS FOR ALL OTHER UTILITIES, SERVICE LOCATIONS, AND DETAILS. THE EXACT LOCATION OF THESE UTILITIES SHALL BE DETERMINED ON SITE BY THE CONTRACTOR.



DMD & Associates Ltd.
#12-17358 104A Avenue
Surrey, BC, Canada V4N 5M3
www.dmdeng.com office@dmdeng.com 604/589-9010 Fax 604/589-9012

DESIGNED	DAVID SON
DRAWN	MARLON ELBO
CHECKED	DANIEL J. WONG
DATE	AUGUST 05/2010
SCALE:	AS SHOWN
SEAL	

No.	DATE	BY	CHKD	REVISION
-	2010-08-10	MT	DS	ISSUED FOR REVIEW
-	2010-08-20	ME	DS	ISSUED FOR TENDER

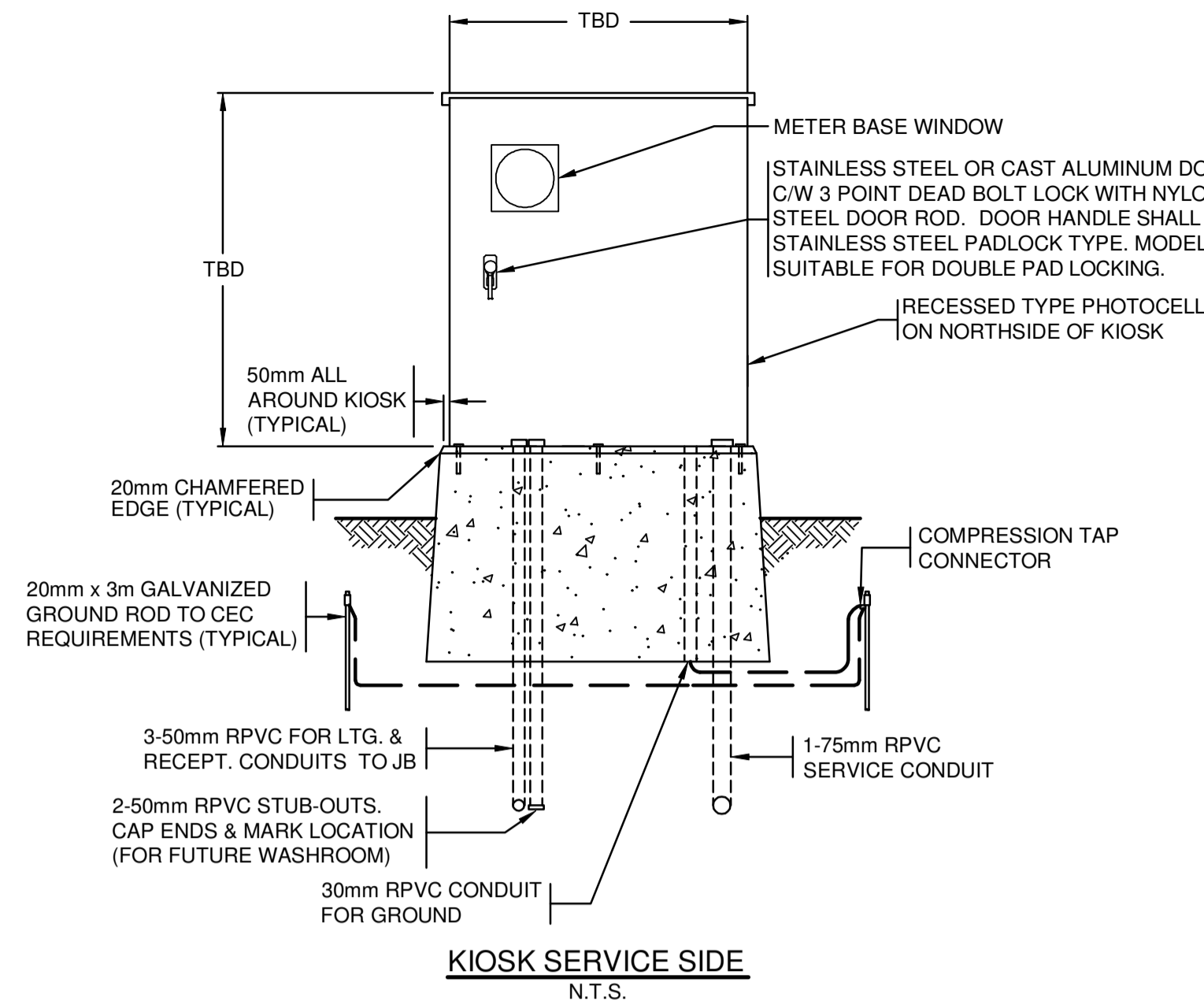
PWL Partnership Landscape Architects Inc.
500-1201 West Pender Street Vancouver, BC V6E 2B2 Tel: (604) 688-6111

**PARK LIGHTING & ELECTRICAL
NEIGHBOURHOOD PARK
EWEN AVENUE AND DERWENT WAY
NEW WESTMINSTER, BC**

PROJECT No.	SHEET No.	REVISION
3167-10-01 of 04	1 of 4	.

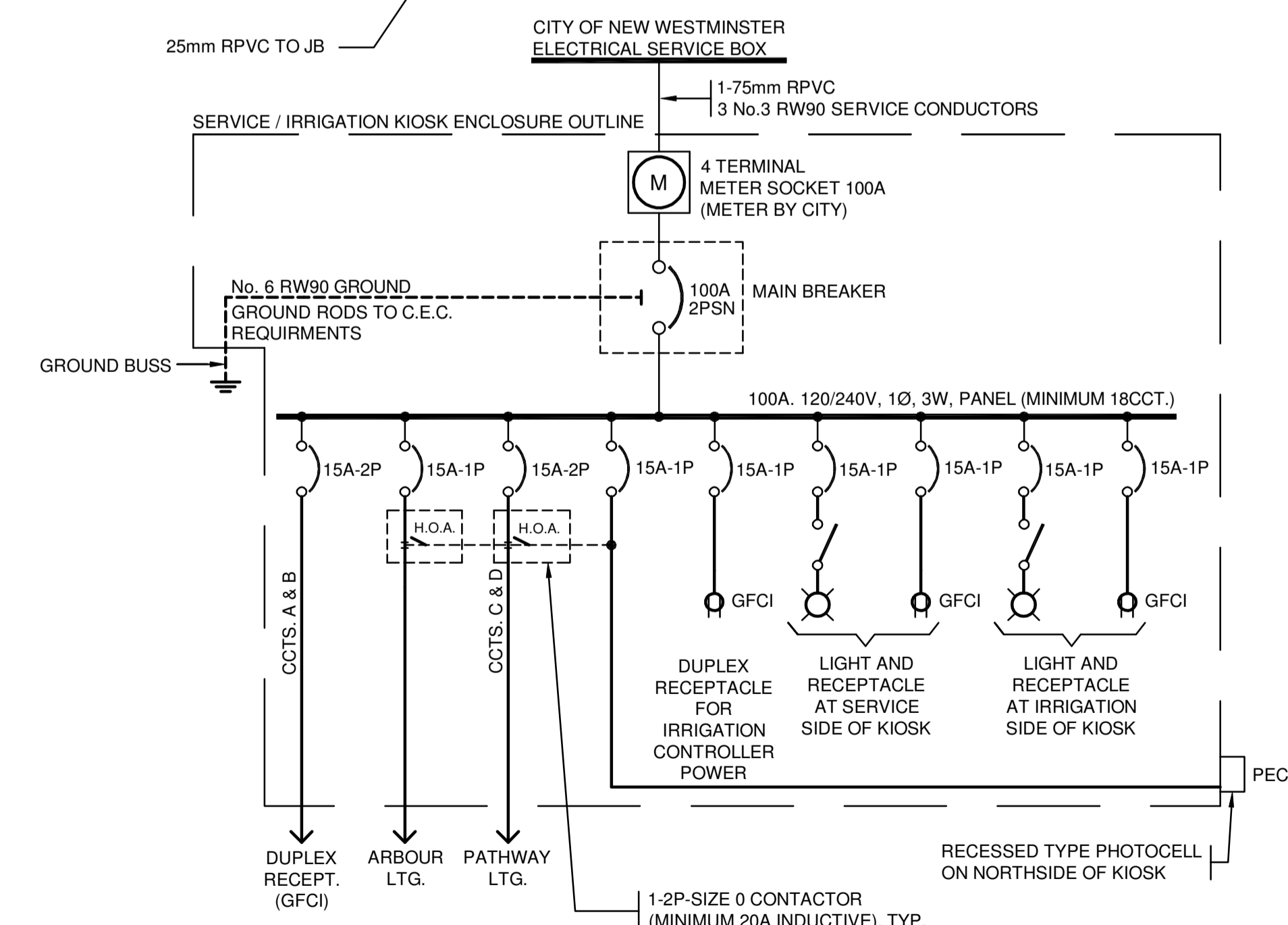
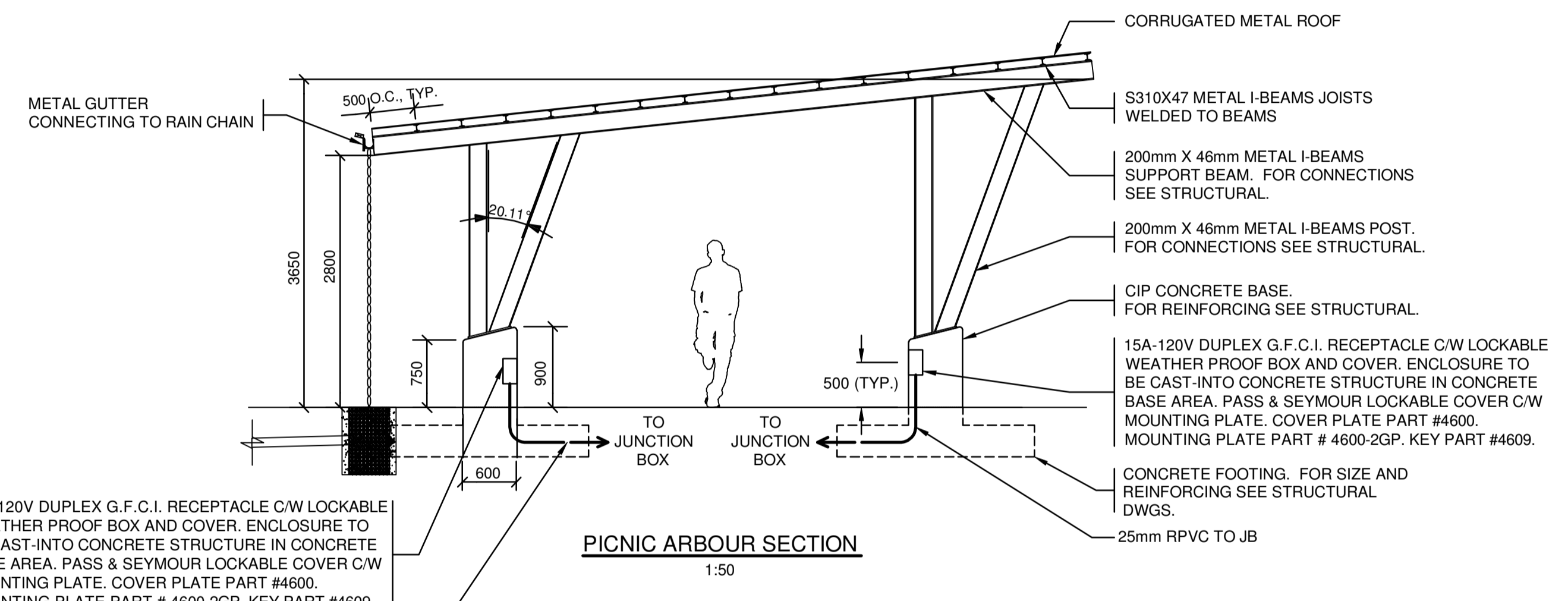
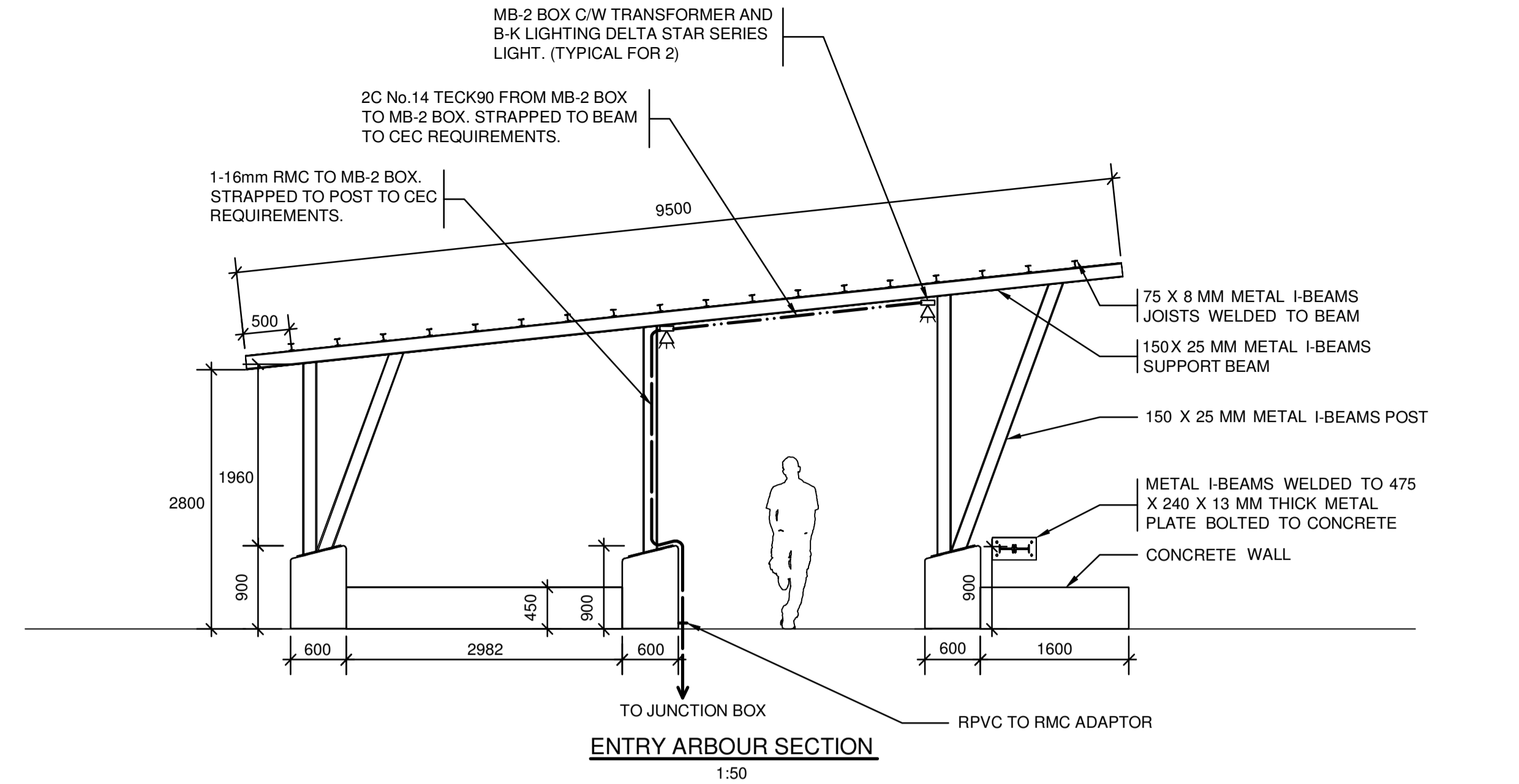
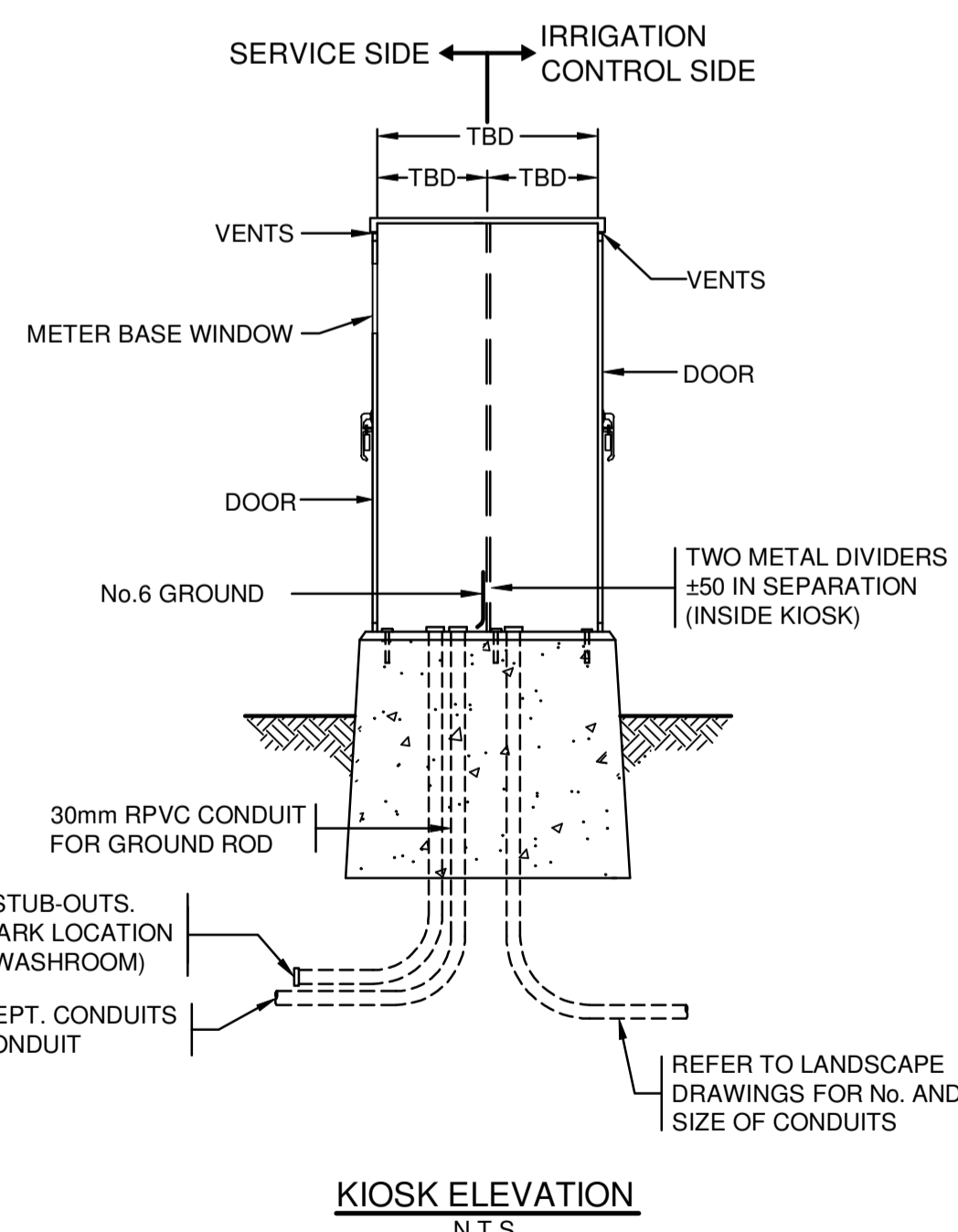
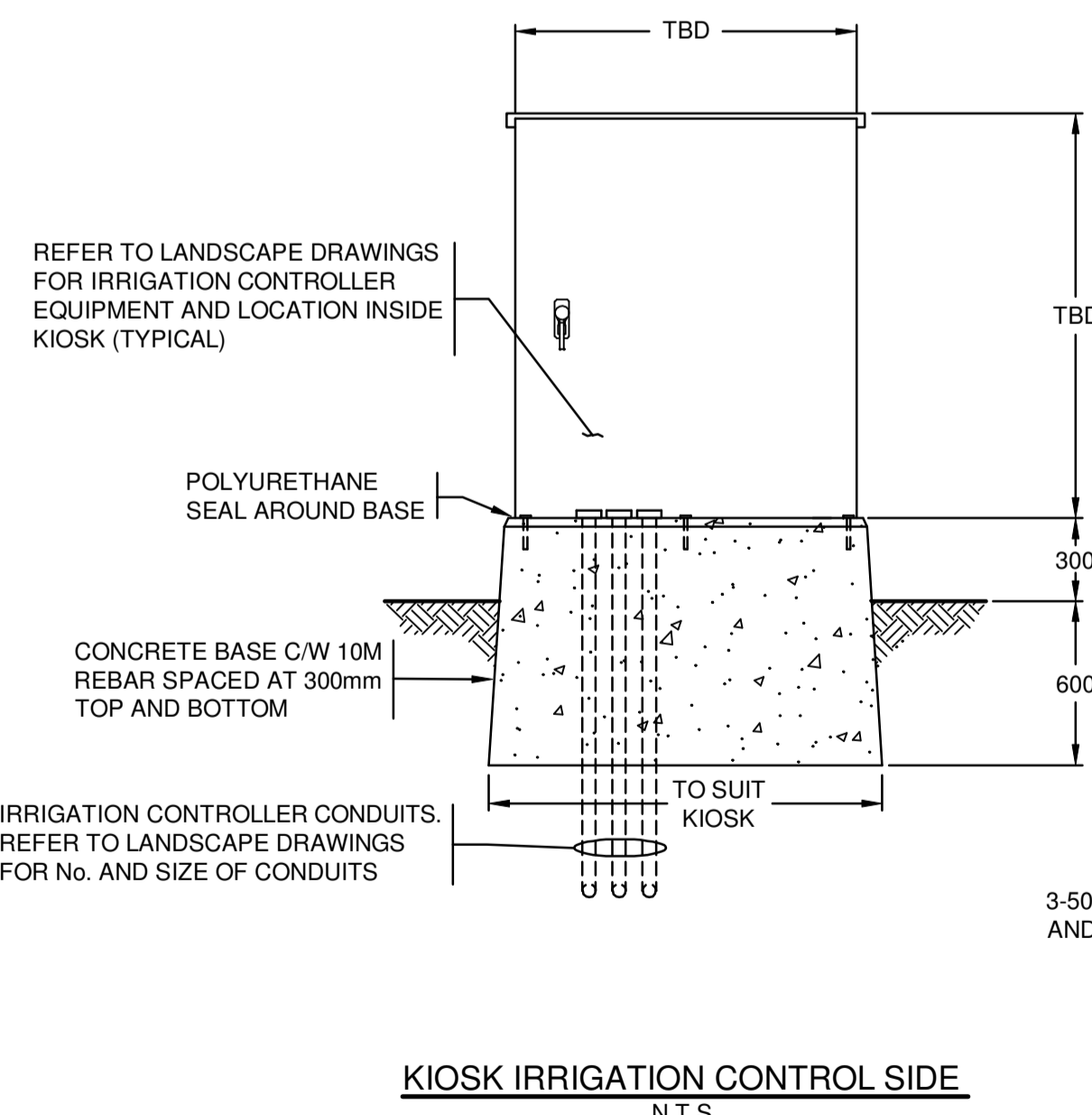
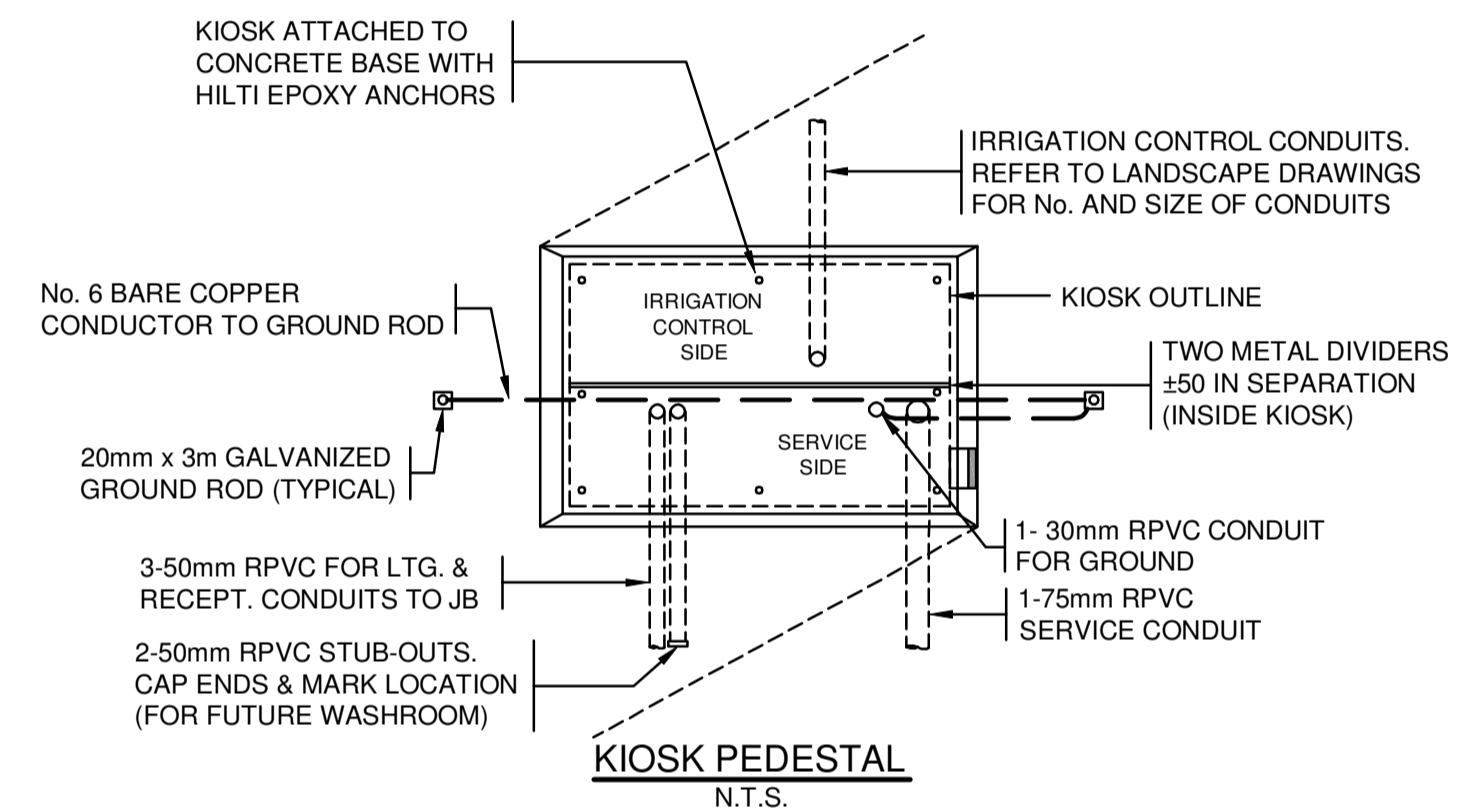
NOT FOR CONSTRUCTION

2010-08-20



KIOSK NOTES:

1. NEMA 3R KIOSK OF SIMILAR DESIGN AND CONSTRUCTION TO A MODEL 170 TRAFFIC CONTROLLER KIOSK. KIOSK SHALL BE 5052 ALUMINUM (0.125" THICK). CABINET SHALL BE POWDER COATED GLOSS TEXTURED BLACK. KIOSK SHALL HAVE BACK PANEL IN CENTER OF KIOSK. KIOSK SHALL HAVE AN ENGINEERED VENTILATION SYSTEM.
2. DOORS SHALL BE DOUBLE SKIN. EACH DOOR SHALL HAVE A 3 POINT LATCHING SYSTEM ALONG WITH STAINLESS DOOR HANDLE CAPABLE OF ACCEPTING PADLOCKS. DOOR HANDLE ON SERVICE SIDE SHALL BE CAPABLE FOR DOUBLE PAD LOCKING. DOOR HINGES SHALL BE SOLID SINGLE POINT BUSHING TYPE WITH A GREASE FITTING. DOORS SHALL HAVE A FIXED DOOR STOP. DOORS SHALL BE GASKETED AND FIT TIGHT TO THE CABINET.
3. ALL EXTERIOR SEAMS SHALL BE CONTINUOUSLY WELDED CONSTRUCTION. ALL EXTERIOR WELDS SHALL BE GROUND SMOOTH. CABINET AND DOORS SHALL HAVE NO SHARP EDGES.
4. KIOSK SHALL BE DESIGNED TO ATTACH TO A CONCRETE BASE. KIOSK SHALL BE SECURED TO CONCRETE BASE WITH A MINIMUM OF 6 CONCRETE INSERTS.
5. CONCRETE SHALL HAVE A STRENGTH OF 25Mpa AT 28 DAYS.
6. LOCATE CONDUITS IN CONCRETE BASE TO SUIT KIOSK EQUIPMENT.
7. ALL NUTS, BOLTS, WASHERS AND SCREWS SHALL BE STAINLESS STEEL.
8. ALL WIRING SHALL BE STRANDED COPPER AND SHALL BE COLOUR CODED NEATLY ROUTED, TY-RAPPED AND LABELED.
9. KIOSK AND INTERNAL COMPONENTS SHALL BE CSA APPROVED.
10. KIOSK AND DOORS SHALL BE FABRICATED USING CNC EQUIPMENT.
11. ALL DEVICES SHALL HAVE LAMICOID NAME PLATES INDICATING VOLTAGES AND LABELING ALL EQUIPMENT.
12. A TYPE WRITTEN PANEL DIRECTORY SHALL BE LOCATED ON THE INSIDE OF THE PANEL DOOR.
13. ALL BREAKERS SHALL BE RATED AT A MINIMUM OF 10,000 AIC.
14. CONTRACTOR SHALL SUPPLY KIOSK SHOP DRAWINGS TO DMD FOR REVIEW PRIOR TO MANUFACTURING.



CHECK BEFORE YOU DIG
CONTRACTOR SHALL REFER TO MUNICIPAL RECORD / CIVIL DESIGN DRAWINGS FOR ALL OTHER UTILITIES, SERVICE LOCATIONS, AND DETAILS. THE EXACT LOCATION OF THESE UTILITIES SHALL BE DETERMINED ON SITE BY THE CONTRACTOR.

REFER TO SHEET 01 FOR LEGEND & NOTES

No.	DATE	BY	CHKD	REVISION
-	2010-08-10	MT	DS	ISSUED FOR REVIEW
-	2010-08-20	ME	DS	ISSUED FOR TENDER

PWL Partnership Landscape Architects Inc.
500-1201 West Pender Street Vancouver, BC V6E 2B2 Tel: (604) 688-6111

PARK LIGHTING & ELECTRICAL NEIGHBOURHOOD PARK EWEN AVENUE AND DERWENT WAY NEW WESTMINSTER, BC

PROJECT No. **3167-10-02 of 04** SHEET No. **2 of 4** REVISION

DMD
DMD & Associates Ltd.
#12-17358 104A Avenue Surrey, BC, Canada V4N 5M3
www.dmdeng.com office@dmdeng.com 604-589-9010 604-589-9010 Fax 604-589-9012

DESIGNED	DAVID SON
DRAWN	MARLON ELBO
CHECKED	DANIEL J. WONG
DATE	AUGUST 05/2010
SCALE:	AS SHOWN
SEAL	

CANCEL PRINTS BEARING PREVIOUS LETTER