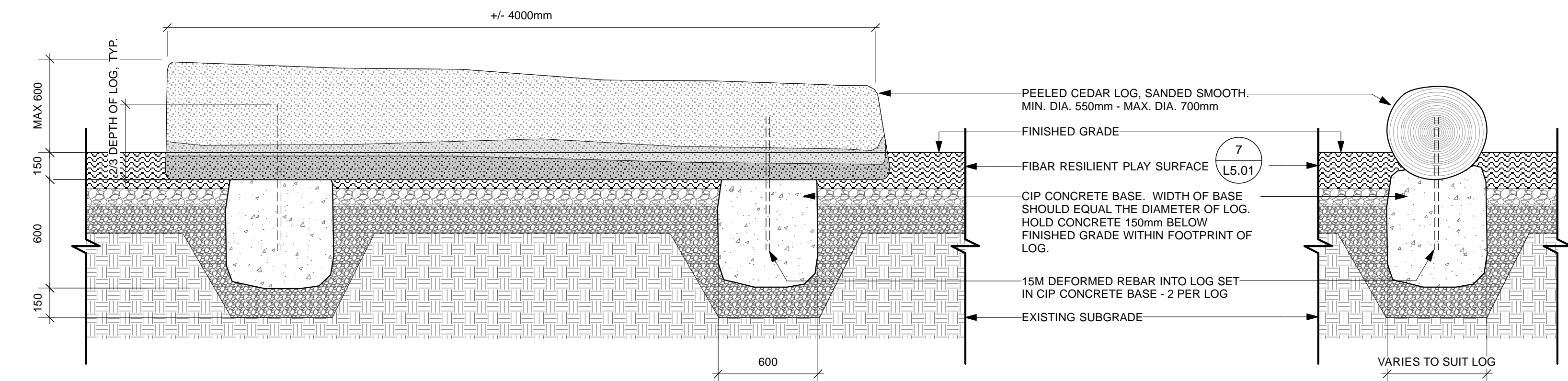


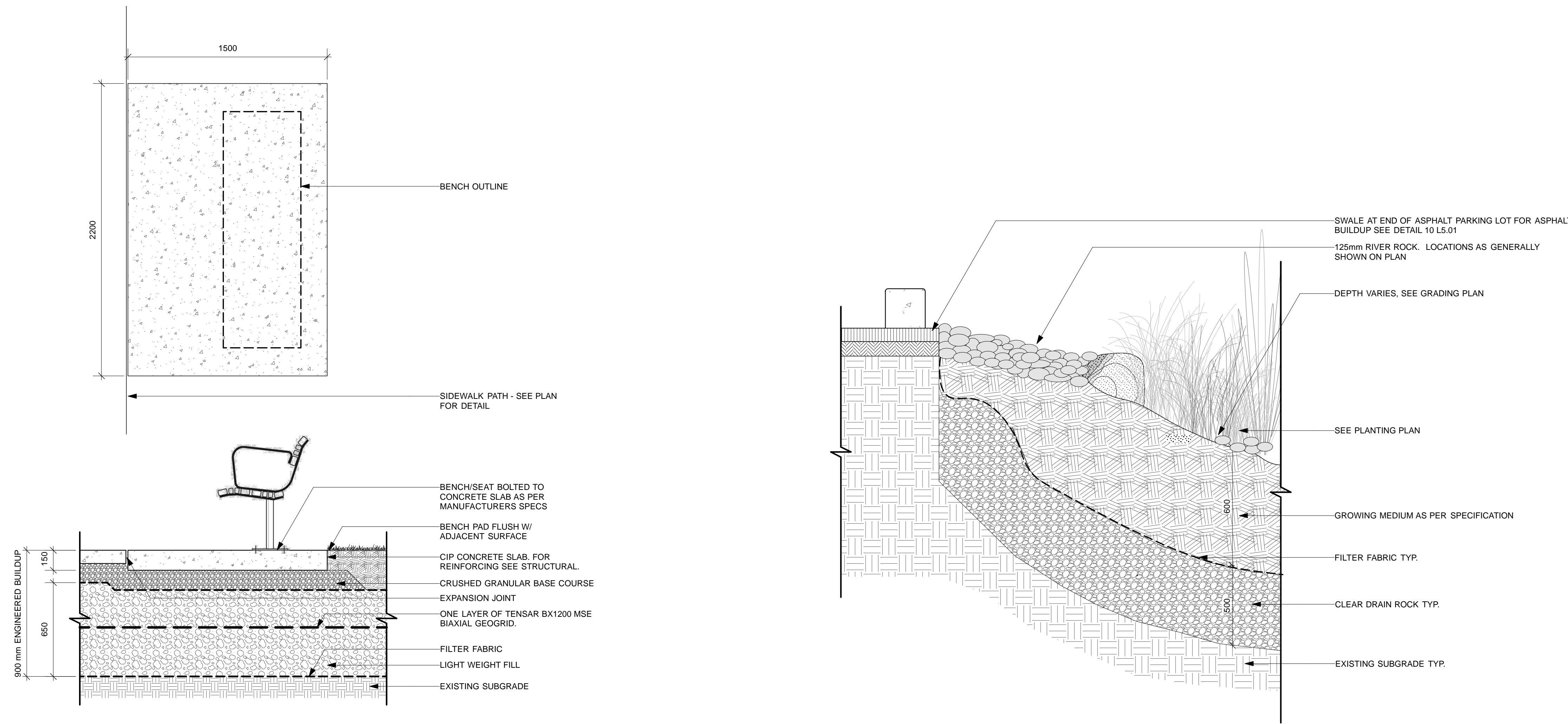
REFER TO STRUCTURAL DWGS. FOR ALL REINFORCING

1 Drinking Fountain
L5.02 1:10



NOTE:
1. PROVIDE 2 REPRESENTATIVE SAMPLES FOR FIELD REVIEW BY CONSULTANT PRIOR TO SUPPLY TO SITE.
2. CONSULTANT TO APPROVE SOURCE OF LOGS.

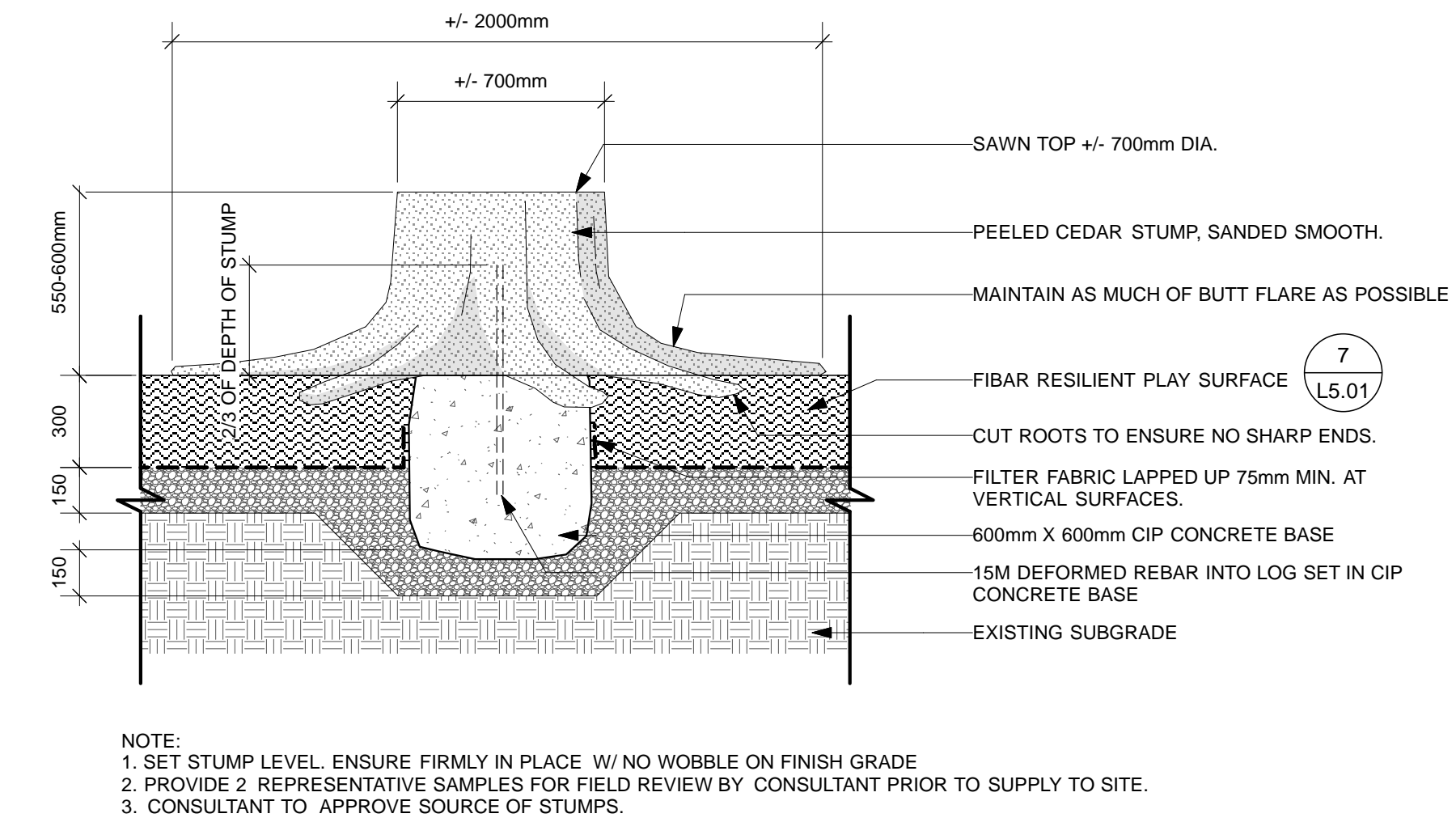
2 Cedar Log
L5.02 1:20



REFER TO STRUCTURAL DWGS. FOR ALL REINFORCING

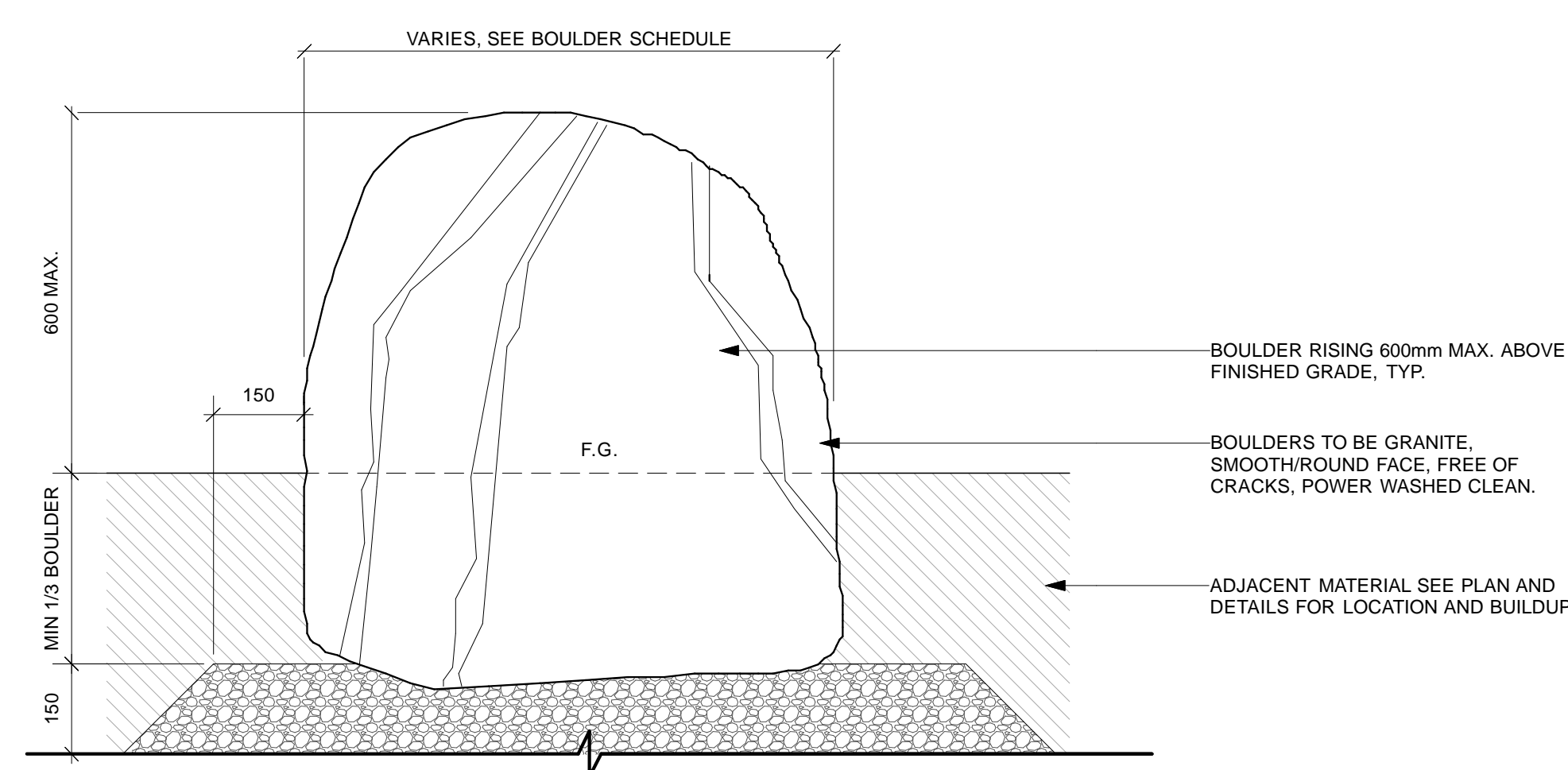
3 Bench and Bench Pad
L5.02 1:20

4 Parking Lot Swale Section
L5.02 1:10



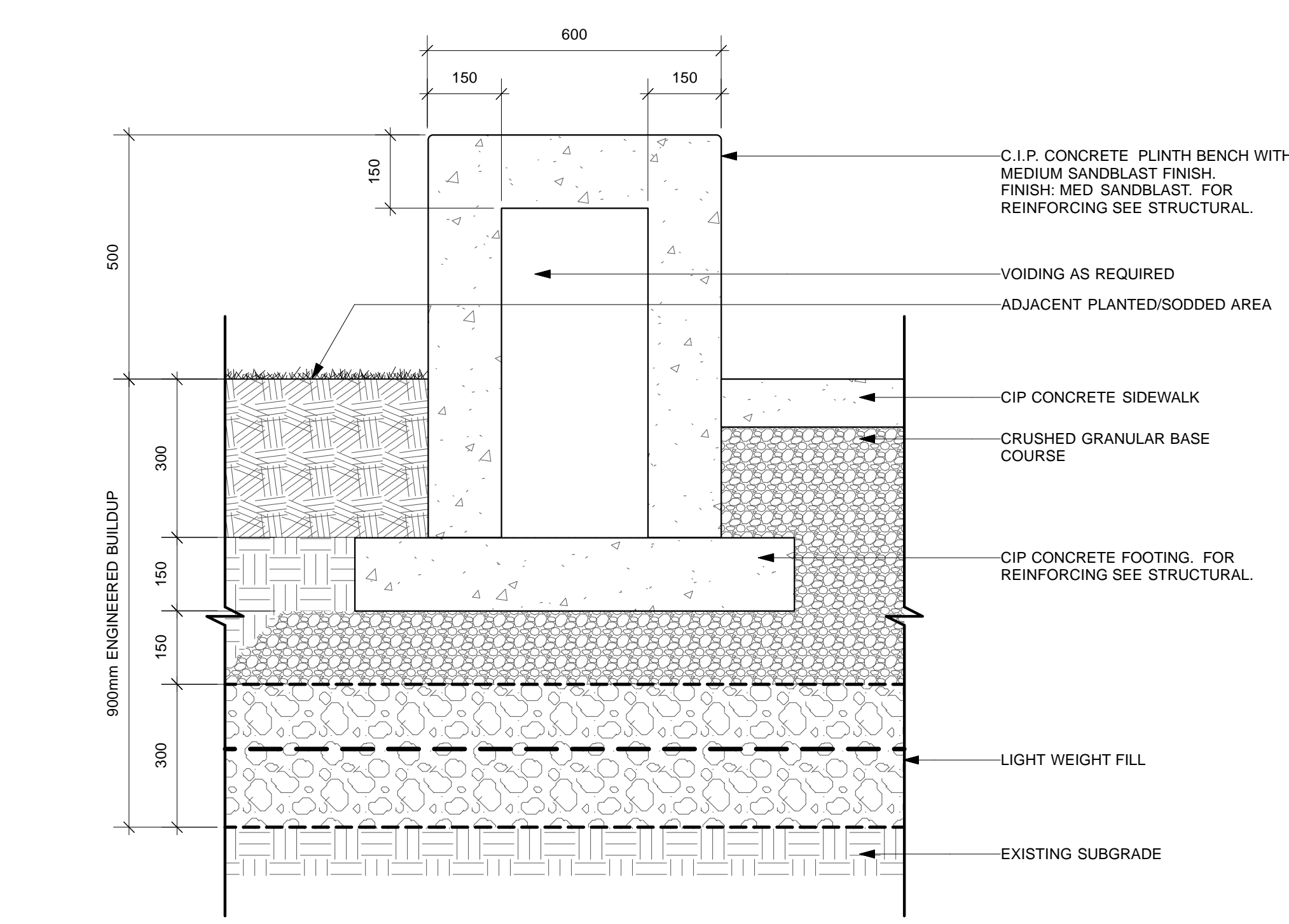
NOTE:
1. SET STUMP LEVEL, ENSURE FIRMLY IN PLACE, W/ NO Wobble ON FINISH GRADE.
2. PROVIDE 2 REPRESENTATIVE SAMPLES FOR FIELD REVIEW BY CONSULTANT PRIOR TO SUPPLY TO SITE.
3. CONSULTANT TO APPROVE SOURCE OF STUMPS.

5 Stump
L5.02 1:20



NOTES:
1. ENSURE ROUNDSMOOTH EDGE BOULDER SITS SECURELY AND DOES NOT ROCK.
2. SHARP EDGES, SPILT FACES AND PROTRUSIONS ARE NOT ACCEPTABLE.
3. PROVIDE 2 REPRESENTATIVE SAMPLES FOR FIELD REVIEW BY CONSULTANT PRIOR TO SUPPLY TO SITE.
4. CONSULTANT TO APPROVE SOURCE OF BOULDERS.

6 General Boulder Placement (Not in Water Play Channel)
L5.02 1:10



REFER TO STRUCTURAL DWGS. FOR ALL REINFORCING

7 C.I.P. Concrete Plinth Bench
L5.02 1:10



NOTES:
1. OWNER SUPPLIED ITEM - NC.
2. CONCRETE PAD IS IN SCOPE OF THIS CONTRACT. FOR PAD SIZE REFER TO PLAN L1.01.

8 Waste Receptacle Enclosure
L5.02 NTS

NO.	DATE	DESCRIPTION
2010/07/30	ISSUED FOR 65% CITY REVIEW	
2010/08/10	ISSUED FOR 90% CITY REVIEW	
2010/08/20	ISSUED FOR TENDER	

NOT FOR CONSTRUCTION

CLIENT

PROJECT
QUEENSBOROUGH PARKS
DERWENT AND EWEN
NEIGHBOURHOOD PARK

DRAWING TITLE
LANDSCAPE DETAILS

Scale
AS SHOWN

PROJECT NO.	1049
DATE	2010 08 28
FILE NAME	1049 DETAILS L5.02
PLOTTED	8/18/10 at 9:41:41 PM
DRAWN	TC and JB
REVIEWED	CS