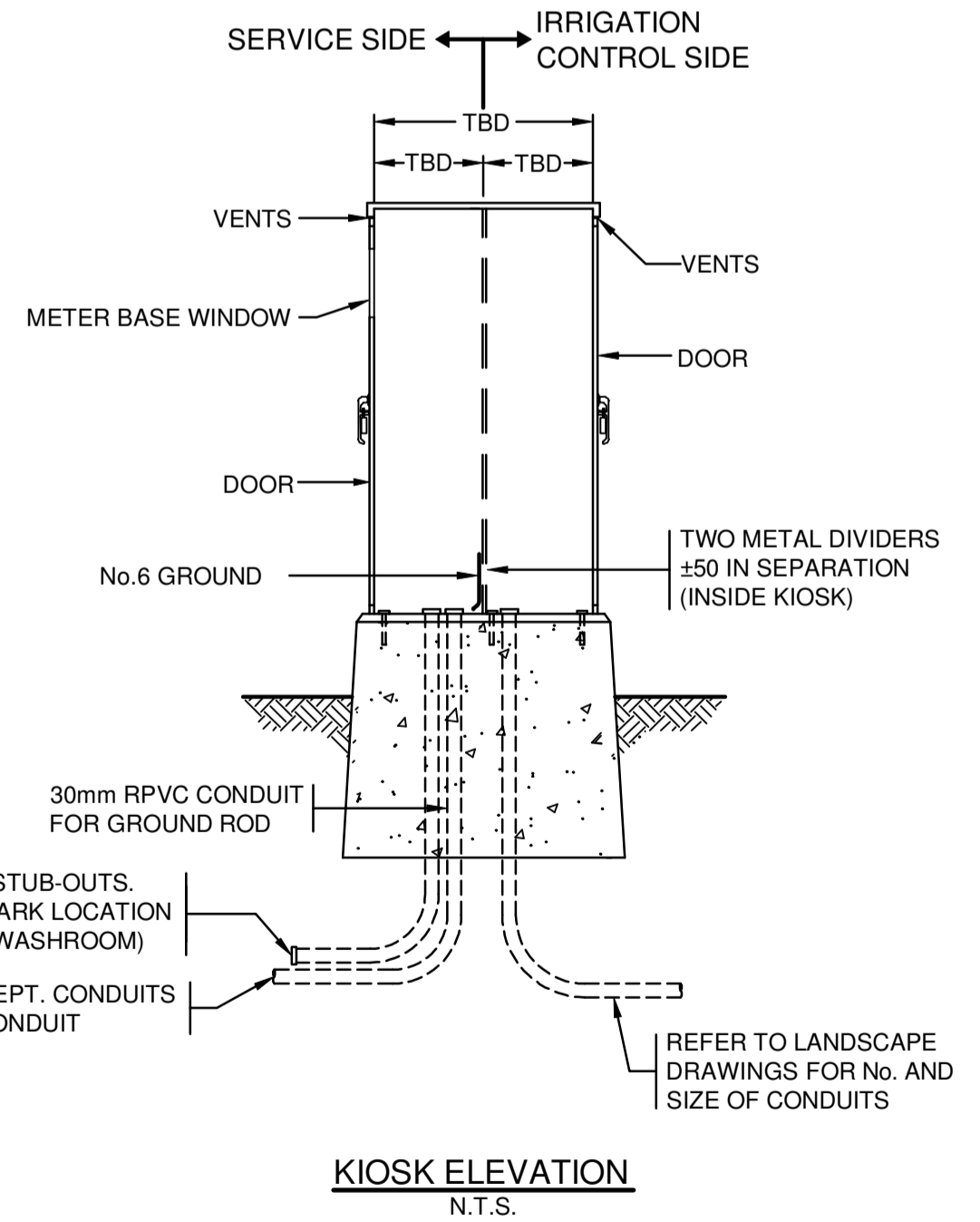
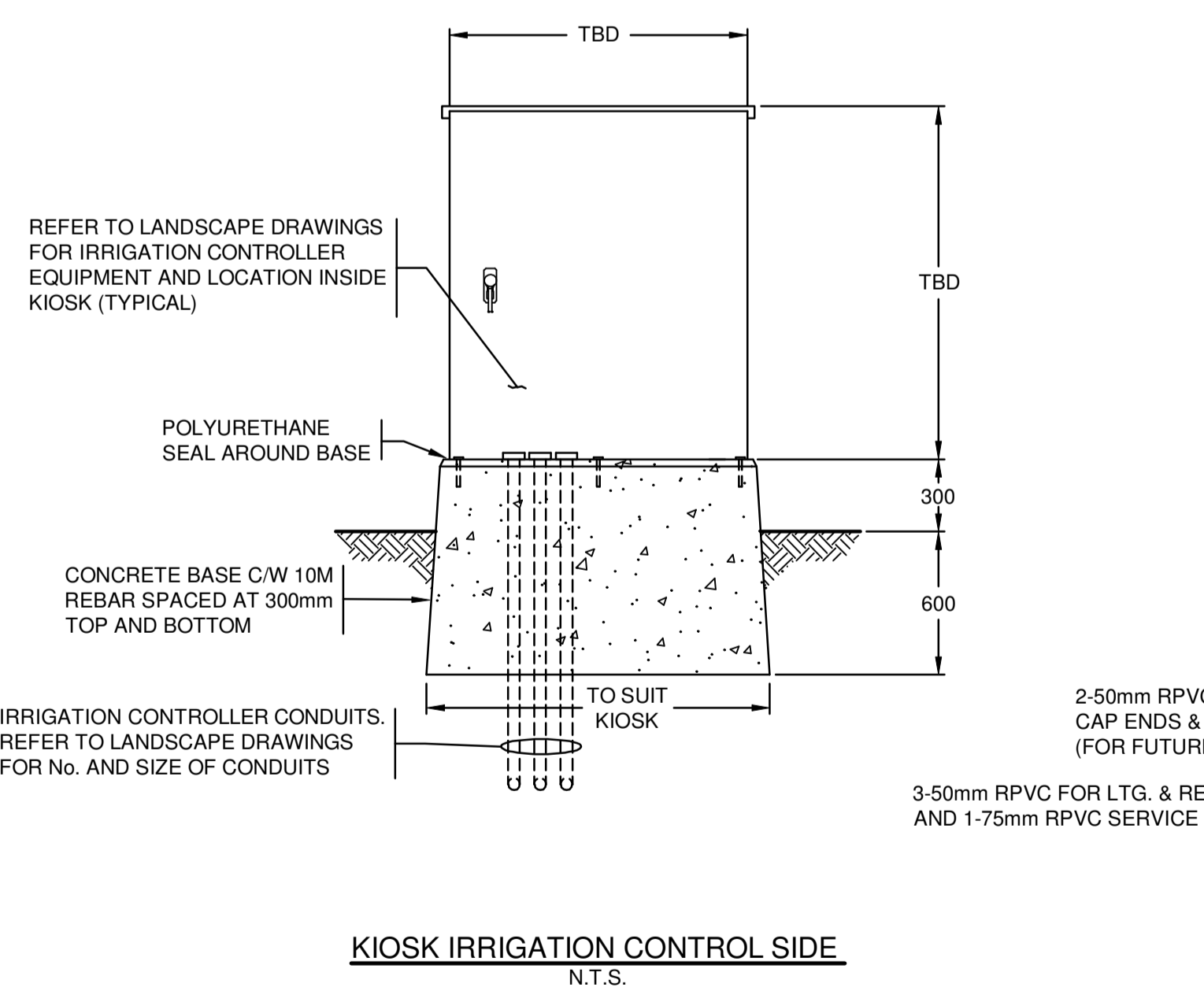
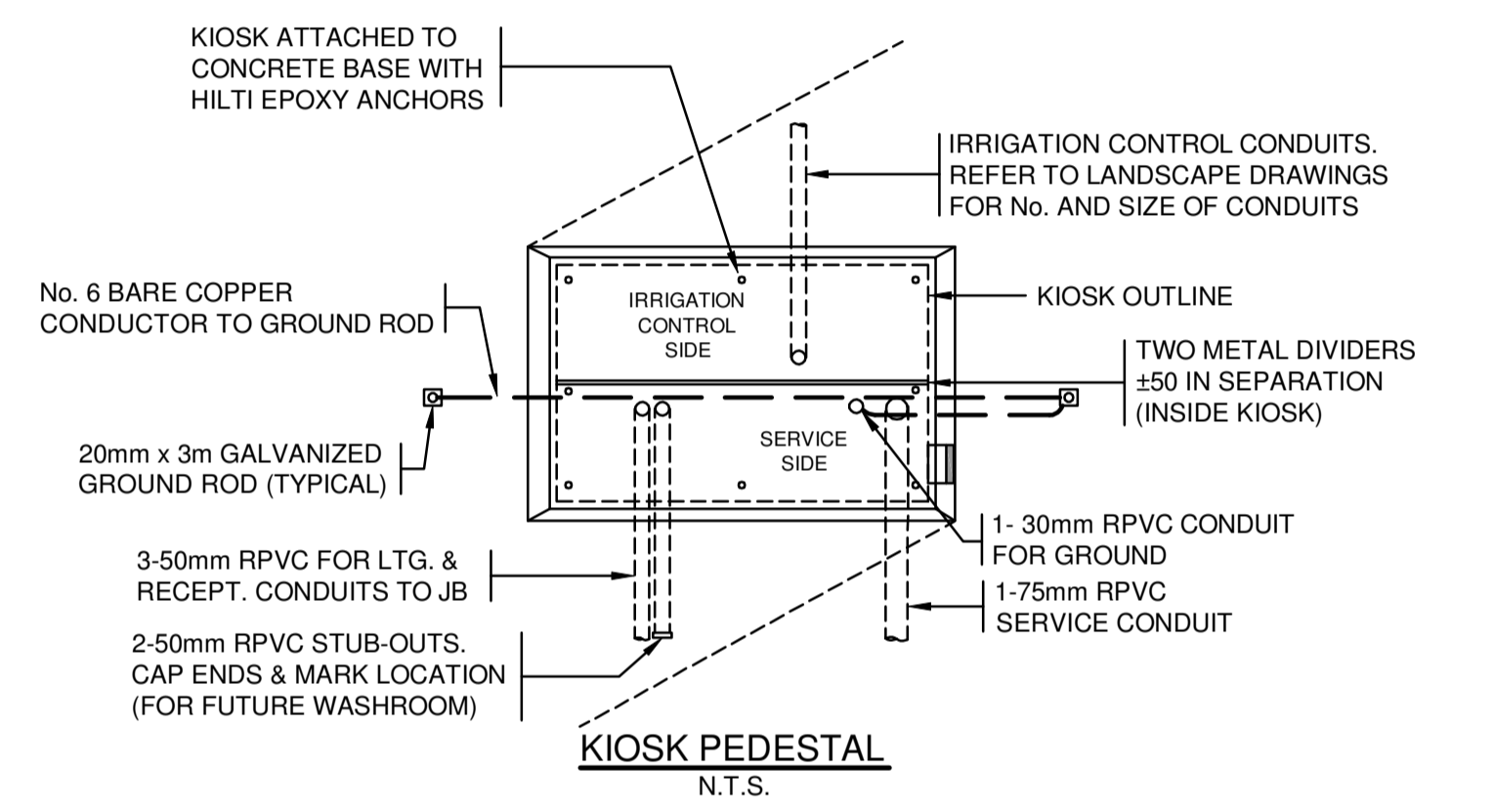
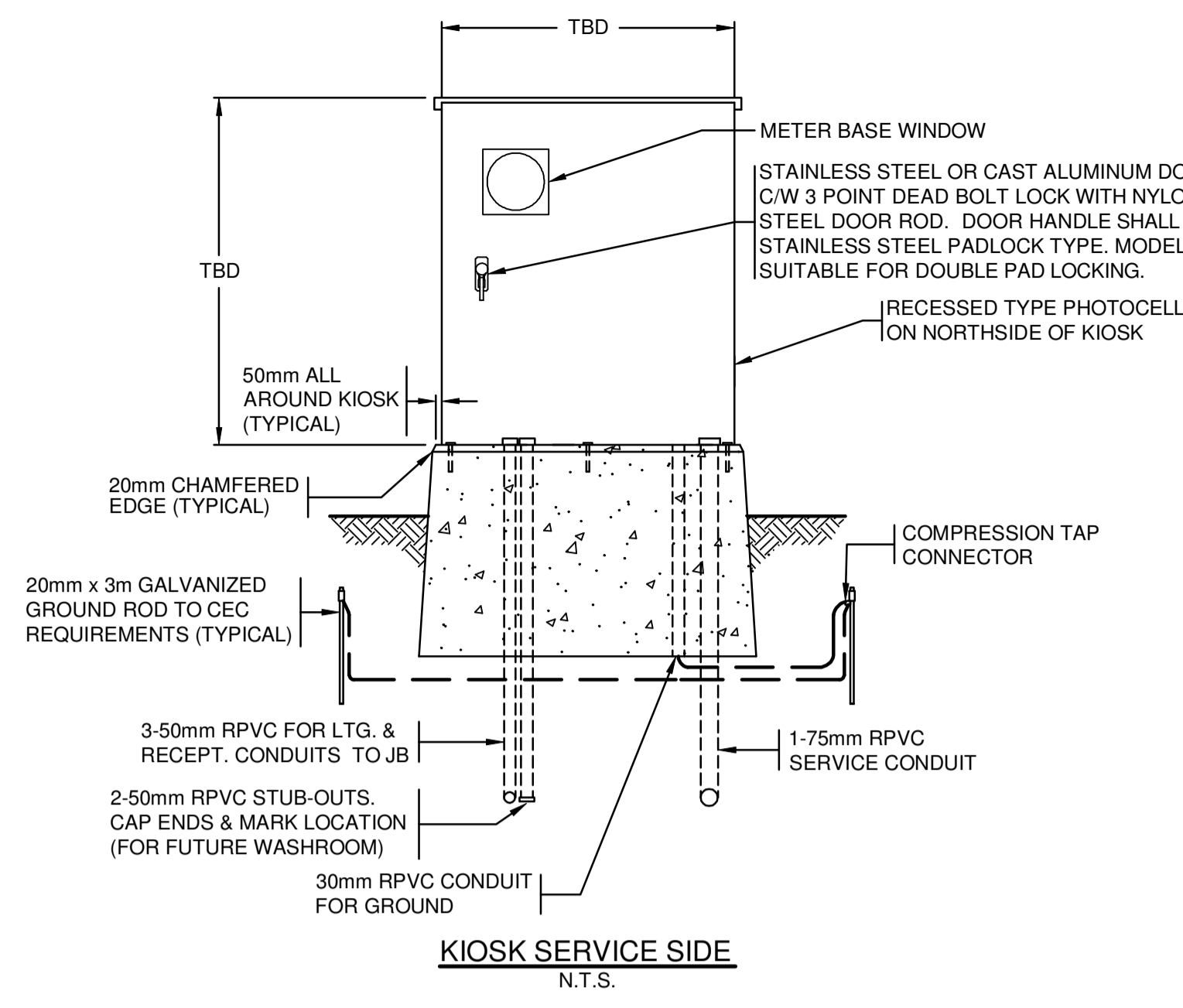
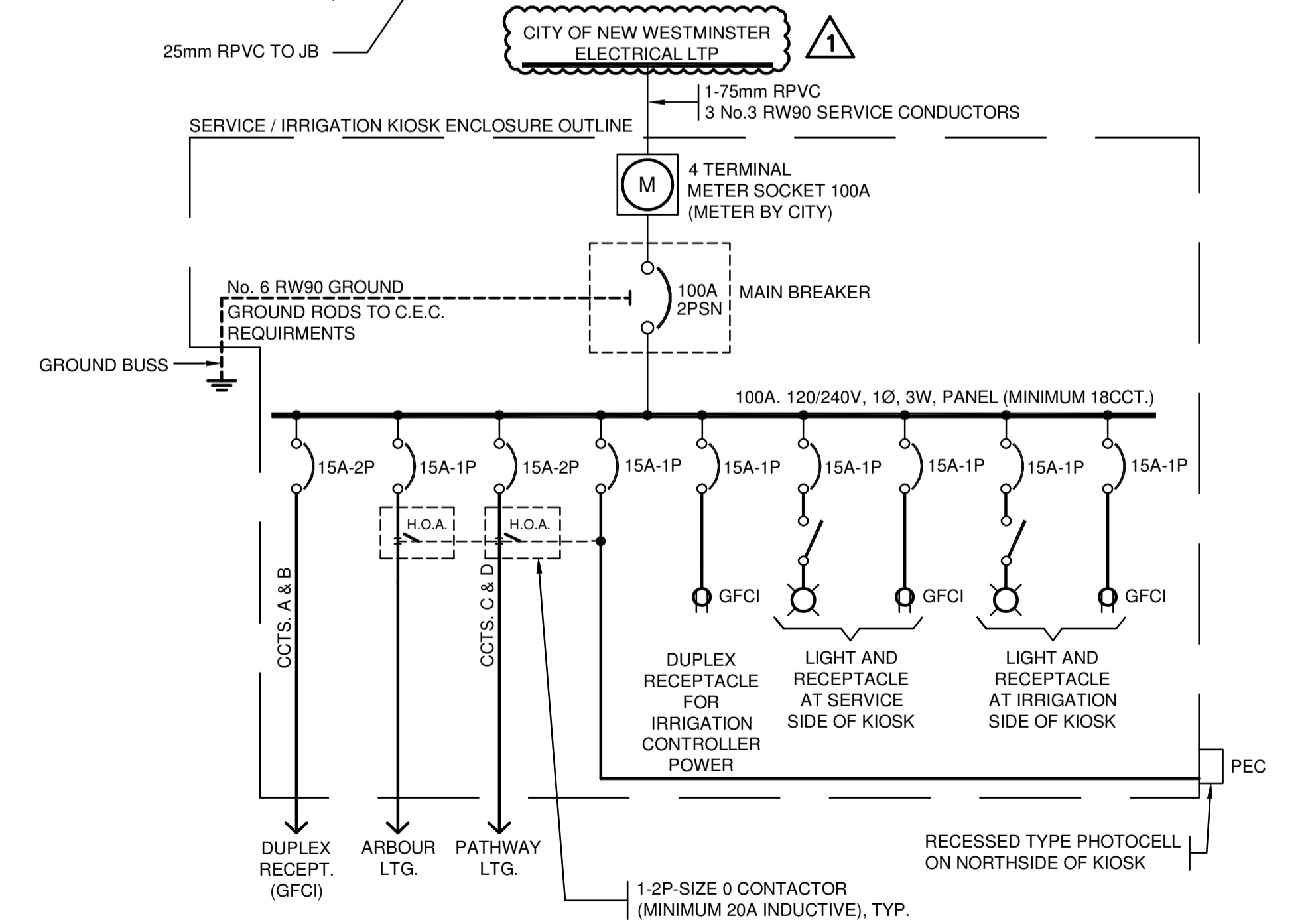
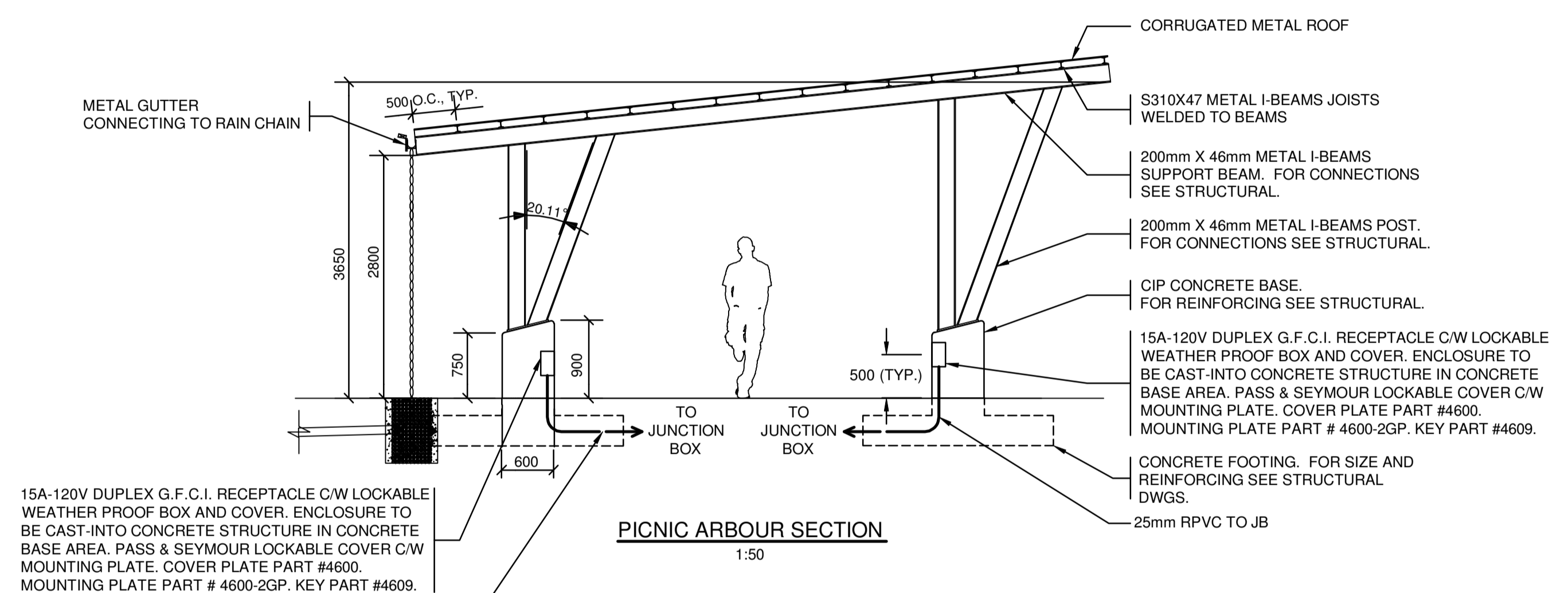
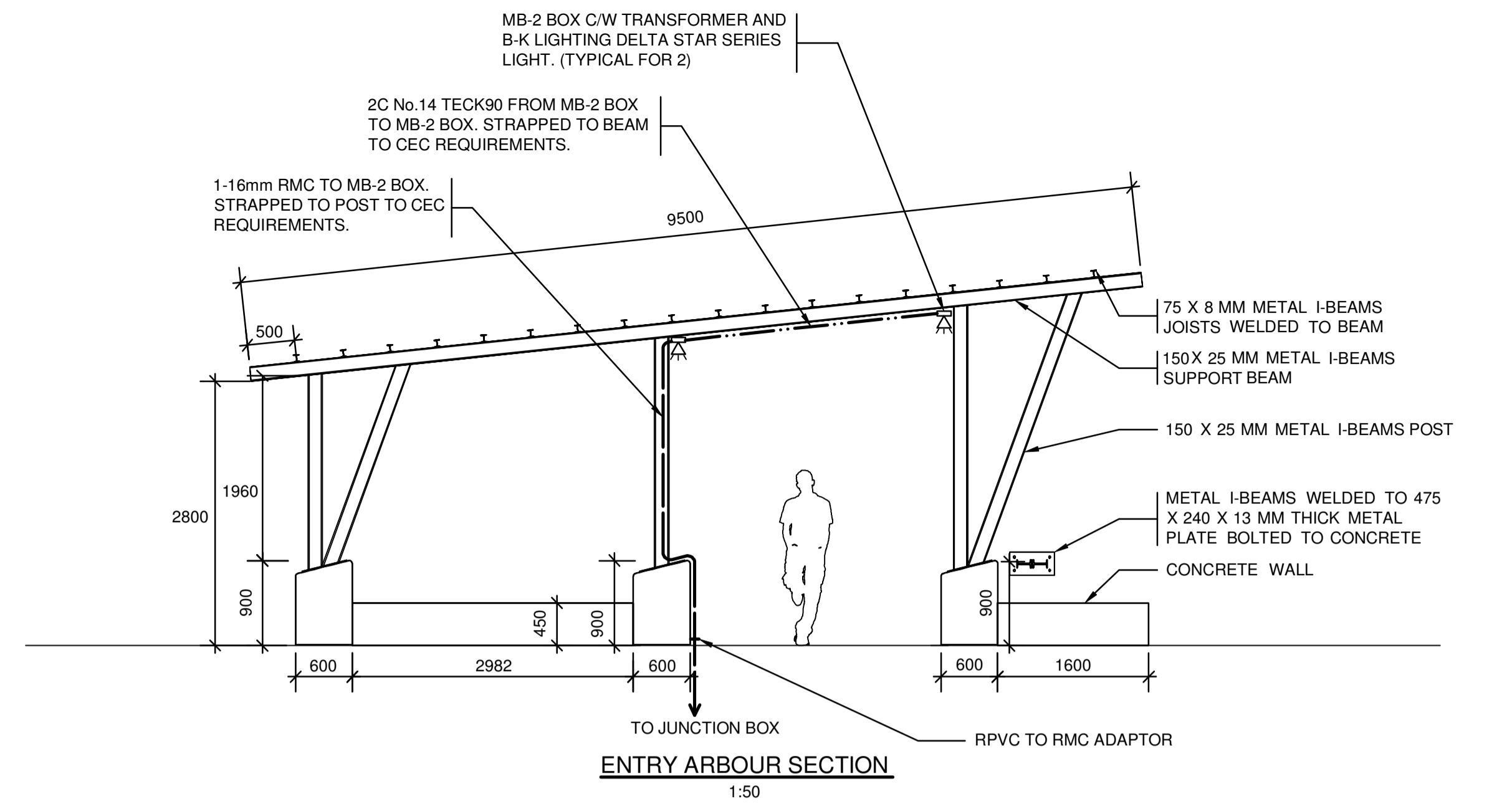


NOT FOR CONSTRUCTION
2010-08-27



- KIOSK NOTES:**
- NEMA 3R KIOSK OF SIMILAR DESIGN AND CONSTRUCTION TO A MODEL 170 TRAFFIC CONTROLLER KIOSK. KIOSK SHALL BE 5052 ALUMINUM (0.125" THICK). CABINET SHALL BE POWDER COATED GLOSS TEXTURED BLACK. KIOSK SHALL HAVE BACK PANEL IN CENTER OF KIOSK. KIOSK SHALL HAVE AN ENGINEERED VENTILATION SYSTEM.
 - DOORS SHALL BE DOUBLE SKIN. EACH DOOR SHALL HAVE A 3 POINT LATCHING SYSTEM ALONG WITH STAINLESS DOOR HANDLE CAPABLE OF ACCEPTING PADLOCKS. DOOR HANDLE ON SERVICE SIDE SHALL BE CAPABLE FOR DOUBLE PAD LOCKING. DOOR HINGES SHALL BE SOLID SINGLE POINT BUSHING TYPE WITH A GREASE FITTING. DOORS SHALL HAVE A FIXED DOOR STOP. DOORS SHALL BE GASKETED AND FIT TIGHT TO THE CABINET.
 - ALL EXTERIOR SEAMS SHALL BE CONTINUOUSLY WELDED CONSTRUCTION. ALL EXTERIOR WELDS SHALL BE GRIND SMOOTH. CABINET AND DOORS SHALL HAVE NO SHARP EDGES.
 - KIOSK SHALL BE DESIGNED TO ATTACH TO A CONCRETE BASE. KIOSK SHALL BE SECURED TO CONCRETE BASE WITH A MINIMUM OF 6 CONCRETE INSERTS.
 - CONCRETE SHALL HAVE A STRENGTH OF 25Mpa AT 28 DAYS.
 - LOCATE CONDUITS IN CONCRETE BASE TO SUIT KIOSK EQUIPMENT.
 - ALL NUTS, BOLTS, WASHERS AND SCREWS SHALL BE STAINLESS STEEL.
 - ALL WIRING SHALL BE STRANDED COPPER AND SHALL BE COLOUR CODED NEATLY ROUTED, TY-RAPPED AND LABELED.
 - KIOSK AND INTERNAL COMPONENTS SHALL BE CSA APPROVED.
 - KIOSK AND DOORS SHALL BE FABRICATED USING CNC EQUIPMENT.
 - ALL DEVICES SHALL HAVE LAMICOID NAME PLATES INDICATING VOLTAGES AND LABELING ALL EQUIPMENT.
 - A TYPE WRITTEN PANEL DIRECTORY SHALL BE LOCATED ON THE INSIDE OF THE PANEL DOOR.
 - ALL BREAKERS SHALL BE RATED AT A MINIMUM OF 10,000 AIC.
 - CONTRACTOR SHALL SUPPLY KIOSK SHOP DRAWINGS TO DMD FOR REVIEW PRIOR TO MANUFACTURING.



CHECK BEFORE YOU DIG
CONTRACTOR SHALL REFER TO MUNICIPAL RECORD / CIVIL DESIGN DRAWINGS FOR ALL OTHER UTILITIES, SERVICE LOCATIONS, AND DETAILS. THE EXACT LOCATION OF THESE UTILITIES SHALL BE DETERMINED ON SITE BY THE CONTRACTOR.

REFER TO SHEET 01 FOR LEGEND & NOTES

No.	DATE	BY	CHKD	REVISION
-	2010-08-10	MT	DS	ISSUED FOR REVIEW
-	2010-08-20	ME	DS	ISSUED FOR TENDER
1	2010-08-27	ME	DS	ADDENDUM

PWL Partnership Landscape Architects Inc.
500-1201 West Pender Street Vancouver, BC V6E 2B2 Tel: (604) 688-6111

PARK LIGHTING & ELECTRICAL
NEIGHBOURHOOD PARK
EWEN AVENUE AND DERWENT WAY
NEW WESTMINSTER, BC

PROJECT No.	SHEET No.	REVISION
3167-10-02 of 04	2 of 4	1

DMD
DMD & Associates Ltd.
#12-17358 104A Avenue
Surrey, BC, Canada V4N 5M3
www.dmdeng.com 604-589-9010
office@dmdeng.com Fax 604-589-9012

DESIGNED	DAVID SON
DRAWN	MARLON ELBO
CHECKED	DANIEL J. WONG
DATE	AUGUST 05/2010
SCALE:	AS SHOWN
SEAL	



CANCEL PRINTS BEARING PREVIOUS LETTER